

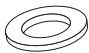
Congratulations on the purchase of your Modeno Chair. It has been crafted to the highest standards of quality and safety and will give you many years of enjoyment and practical use. Since this is a natural wood product, there will be variations in color and grain and minor checking may occur. This is normal and does not compromise the integrity of your chair.

On this insert you will find a list of the hardware and parts included as well as detailed assembly instructions. Assembly will be most easily accomplished if you take the time to carefully sort the hardware and familiarize yourself with the function of each piece.


If you need assistance with assembly, part replacement or any other matter, please contact the toll-free Epoch Design Customer Service Team Monday through Friday, 9 AM-6 PM PST at 1 (800) 589-7990. You may also email your request or comments to info@epochbydesign.com and a customer service representative will respond.

Thank you and Enjoy


HARDWARE




4x Washers



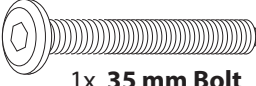
4x Locks



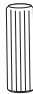
4x Nuts




4x Barrel nuts



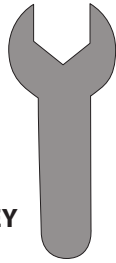
1x 35 mm Bolt




2x Dowels



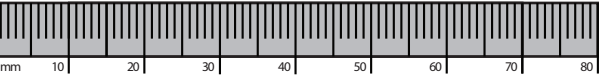
1x HEX KEY




1x WRENCH



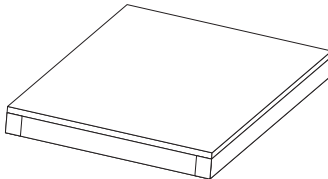
4x 80 mm Bolts



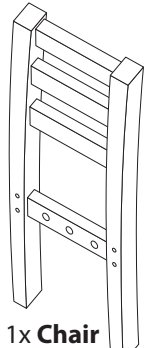
PARTS



2x Legs

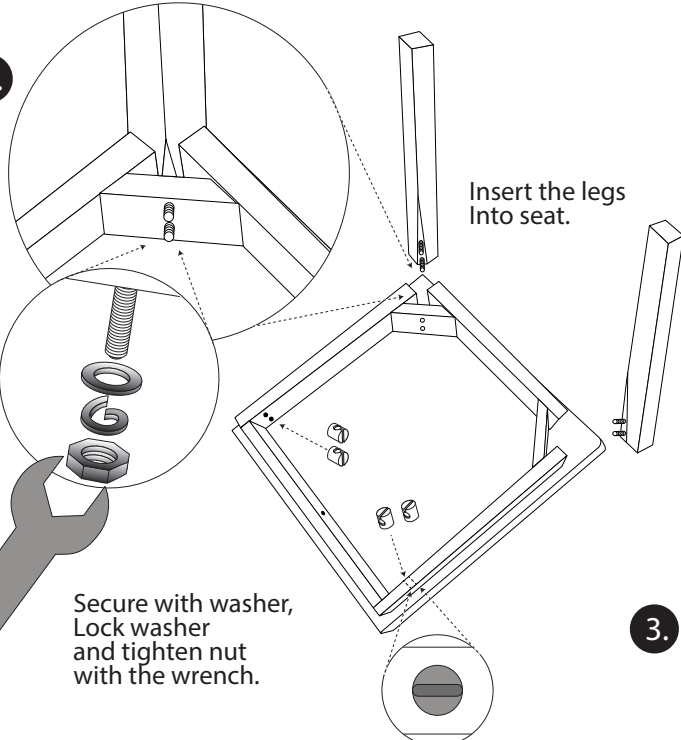


1x Seat



1x Chair

1.

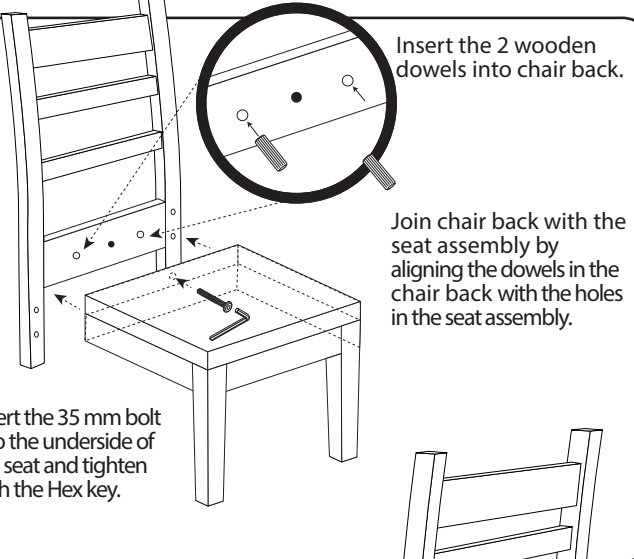


Insert the legs into seat.

Secure with washer, Lock washer and tighten nut with the wrench.

Insert the Barrel nuts into holes in the bottom of the seat. Rotate the barrel nuts so the screwdriver slot is parallel with the seat.

2.



Insert the 2 wooden dowels into chair back.

Join chair back with the seat assembly by aligning the dowels in the chair back with the holes in the seat assembly.

Insert the 35 mm bolt into the underside of the seat and tighten with the Hex key.

3. Insert the four 80 mm bolts into the chair back. If the barrel nuts are aligned properly the 80 mm bolts should tighten easily.

