

## Trundle Bed

5140: GA-TW-TB-NB

5144: GA-TW-TB-CO

Congratulations on the purchase of your Trundle Bed. This trundle bed has been crafted to the highest standards of quality and safety and will give you many years of enjoyment and practical use.


Since this trundle bed is a natural wood product, there will be variations in color and grain, and minor checking may occur. This is normal and does not compromise the integrity of your bed. In fact, variation in character of solid hardwood is integral to the beauty and appeal of hardwood furniture, and distinguishes it from prefabricated, synthetic and composite materials.

On this insert you will find a list of the hardware and platform bed parts included, as well as detailed assembly instructions. Assembly is quite simple, and requires only a flat head screwdriver and a Phillips head screwdriver. The use of a power drill with Phillips head attachment is helpful but not necessary. Assembly will be most easily accomplished if you take the time to carefully sort the hardware and familiarize yourself with the function of each piece.

If you need assistance with assembly, part replacement, or any other matter, please contact the toll-free Epoch Design Customer Service Team from Monday through Friday, 9 AM-6PM PST at 1 (800) 589-7990. You may also email your request or comments to [info@epochbydesign.com](mailto:info@epochbydesign.com) and a customer service representative will respond.


### Thank you and Enjoy

### HARDWARE LIST

8 **110mm bolts**   
Used to end boards to side rails

8 **35mm bolts**   
Used to attach front and back panels

4 **Wooden dowels**   
Used to attach front and back panels

34 **30mm wood screws**   
Used to slats and plank braces

62 **20mm round head screws**   
Used to planks and wheels

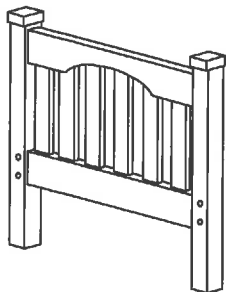
8 **Barrel nuts**   
Used to secure bolts

5 **Wheels**   
Used to attach on the bottom of the trundle

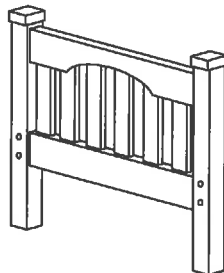
2 **Wire retainers**   
Used on drawer dividers

1 **Hex key**   
Used to tighten bolt hardware

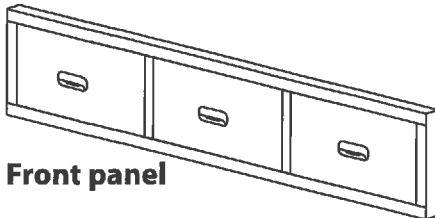
### BED PARTS



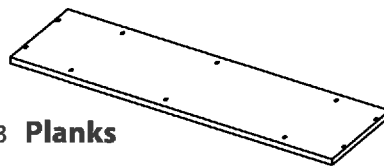
1 **Taller end board**



1 **Shorter end board**



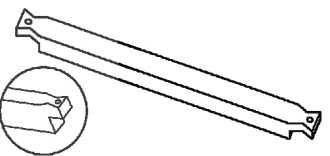
1 **Front panel**



3 **Planks**



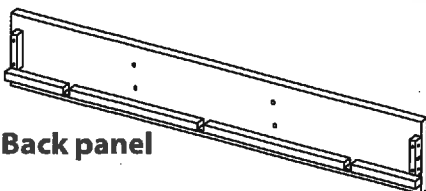
2 **Plank braces**



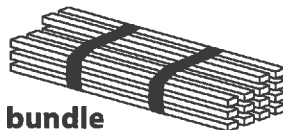
1 **Plank brace (middle)**



2 **End panels**



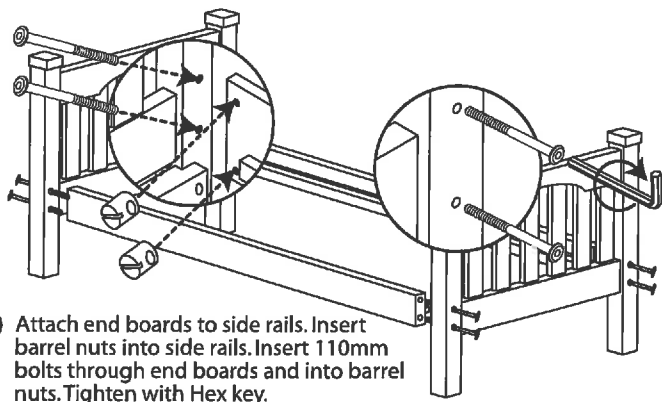
1 **Back panel**



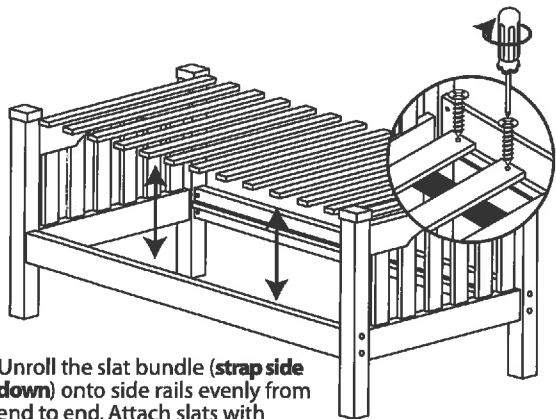
1 **Slats bundle**  
Rest on side rails and supports mattress (**strap side down**)



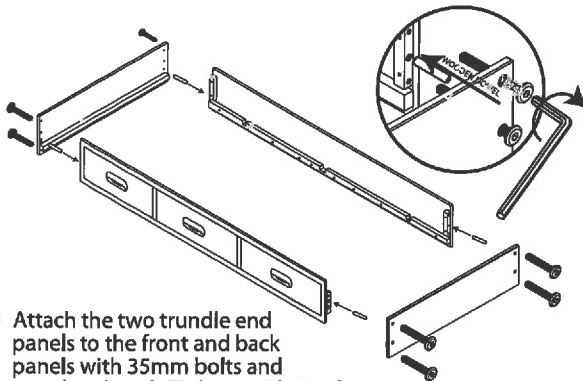
2 **Drawer dividers**



- 1) Attach end boards to side rails. Insert barrel nuts into side rails. Insert 110mm bolts through end boards and into barrel nuts. Tighten with Hex key.

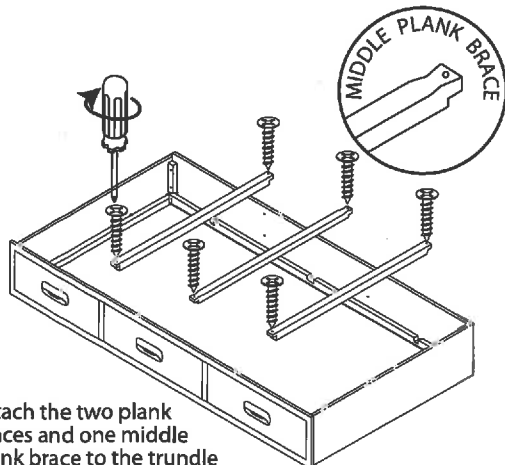


- 2) Unroll the slat bundle (**strap side down**) onto side rails evenly from end to end. Attach slats with 30mm wood screws using Phillips head screwdriver. A power screwdriver with clutch set on low is useful here.

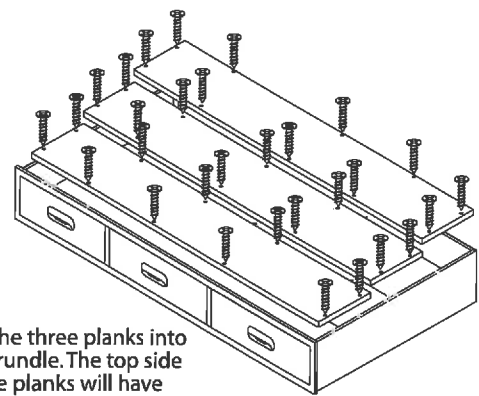


- 3) Attach the two trundle end panels to the front and back panels with 35mm bolts and wooden dowels. Tighten with Hex key.

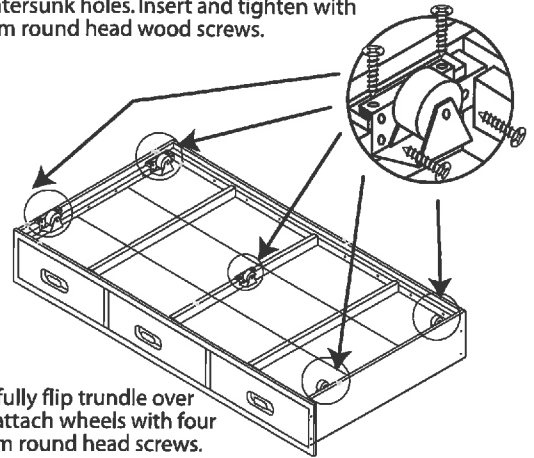
**Note:** Do not tighten any of these bolts until all of them are threaded part away.



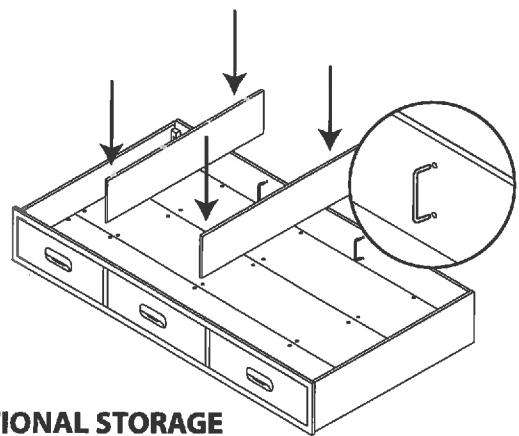
- 4) Attach the two plank braces and one middle plank brace to the trundle with 30mm wood screws. The braces should lay flush with the surrounding ledge.



- 5) Lay the three planks into the trundle. The top side of the planks will have countersunk holes. Insert and tighten with 20mm round head wood screws.

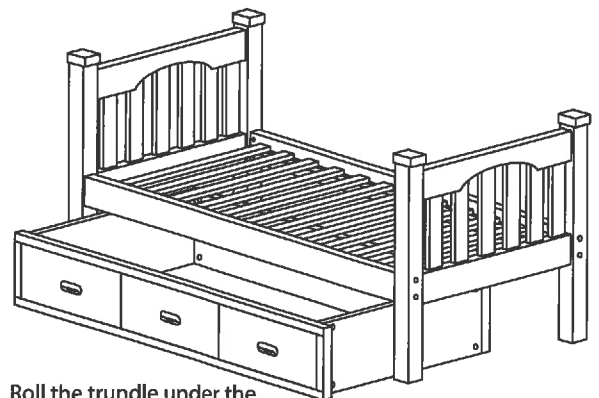


- 6) Carefully flip trundle over and attach wheels with four 20mm round head screws.



### OPTIONAL STORAGE

- 7) To use the trundle as a storage drawer, simply remove the mattress and insert the wire retainers and then slide the drawer dividers into the wire retainers down the grooves on the dividers.



- 8) Roll the trundle under the bed. Now use the Hex key to retighten all bolts so that the bed assembly is rigid. It will be necessary to occasionally retighten all the hardware.

**Have a question? Need a part ASAP? Call 1-800-589-7990 or email [info@epochbydesign.com](mailto:info@epochbydesign.com).**