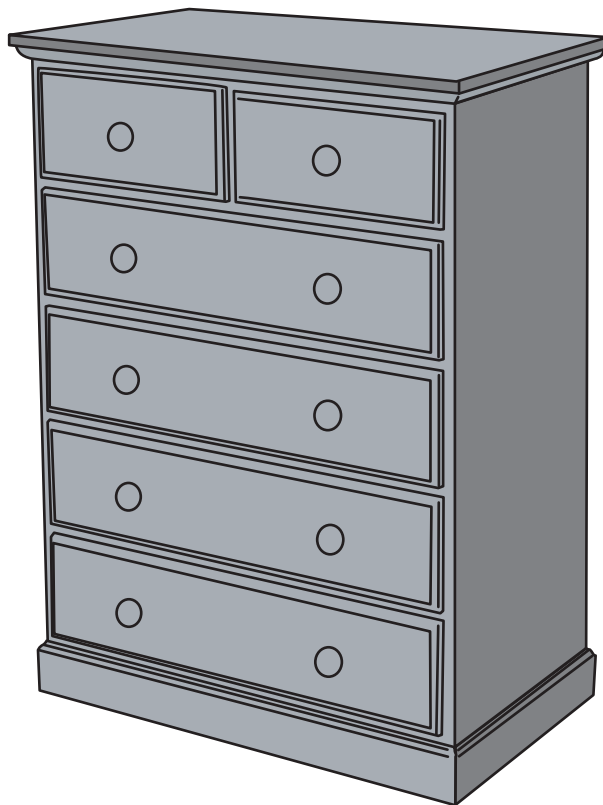


Epoch Design, LLC

Gabriel 6 Drawer Dresser • Model #5312

Congratulations on the purchase of your Gabriel 6 Drawer Hardwood Chest of Drawers. This chest of drawers has been crafted to the highest standards of quality and safety and will give you many years of enjoyment and practical use.

Since this is a natural wood product there will be variations in color and grain, and minor wood grain checking may occur. This is normal and does not compromise the integrity of your dresser. Variation in the character of wood is integral to the beauty and appeal of hardwood furniture, and distinguishes it from lower quality materials.



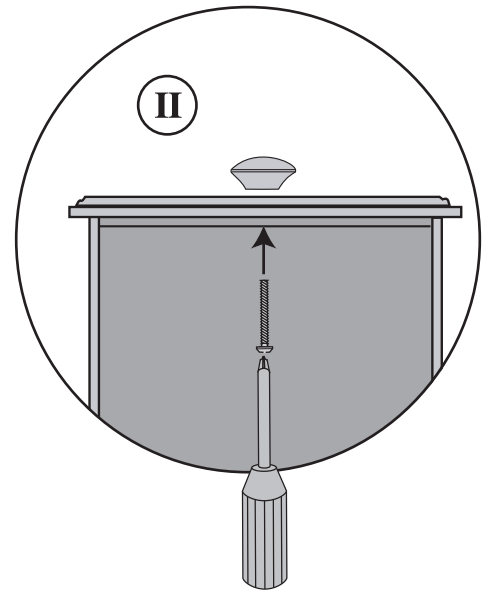
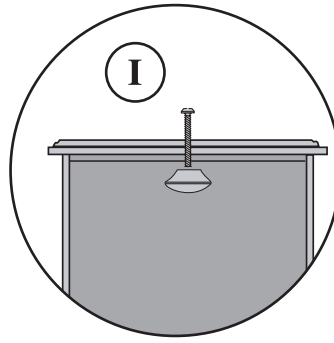
On this insert you will find a list of the hardware and parts necessary for assembly, as well as detailed instructions. Assembly is quite simple and requires only a flat head screwdriver or a phillips head screwdriver.

If you should require assistance with assembly, part replacement or any other matter, contact the toll-free Epoch Design Service Center from anywhere in the Continental United States, Monday through Friday, 9AM - 5PM Pacific Standard Time at 1-800-589-7990.

Thank you and Enjoy

Drawer handles are pre-installed into each drawer for shipping (As Shown in Diagram I).

To install drawer handles for use you must first unscrew the handle from the inside of the drawer. Place the handle on the outside of drawer and insert screw through the pre-drilled hole located on the inside of the drawer. Tighten using Flathead or Phillips head screwdriver. (As Shown in Diagram II).

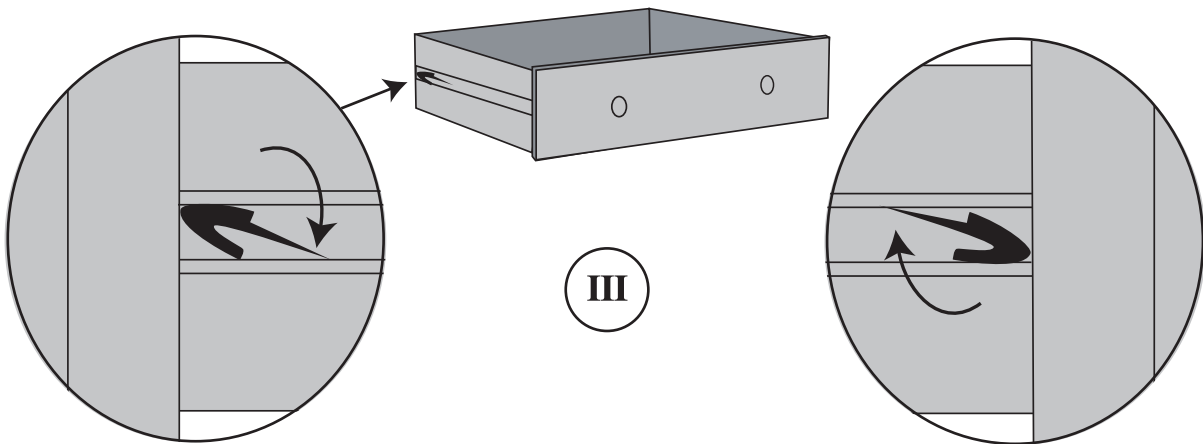


If you find you need to remove a drawer, pull drawer all the way out, push and hold track tabs in their proper positions. (As Shown in Diagram III) Pull drawer out the rest of the way.

NOTE: Each drawer is made only for its original location so make sure if you remove more than one they go back in proper order.

LEFT SIDE HOLD DOWN

RIGHT SIDE HOLD UP



PARTS

quantity

quantity



Drawer Handle 10



30mm Panhead Machine Screw 10

Tip-Over Straps "parts pack" with instructions

