



Under Bed Storage Drawer

5100: SE-OS-SD-WH 5101: SE-OS-SD-NB
5102: SE-OS-SD-CO

Congratulations on the purchase of your Under Bed Storage Drawer. This storage drawer has been crafted to the highest standards of quality and safety and will give you many years of enjoyment and practical use.

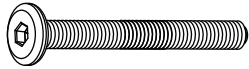
Because this storage drawer is composed of wood there will be variations in color and grain, and minor checking may occur. This is normal and does not compromise the integrity of your trundle.

On this insert you will find a list of hardware and parts necessary for assembly, as well as detailed instructions. Assembly is quite simple and requires only a Phillips Head screwdriver. The use of a power drill with the torque setting on low and a Phillips Head attachment is helpful but not necessary. Assembly will be most easily accomplished if you take the time to carefully sort the hardware and familiarize yourself with the function of each piece.

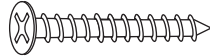
If you need assistance with assembly, part replacement or any other matter, contact the Toll-Free Epoch Design Service Center from anywhere in the Continental United States, Monday through Friday, 9AM - 5PM Pacific Standard Time at 1-800-589-7990. You may also fax your request or comments to 425-284-0885 or email info@epochbydesign.com and a customer service representative will respond.

Thank you and Enjoy

HARDWARE LIST



8x 35mm Bolt
Used to attach front back and end panels



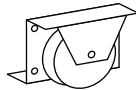
6x 30mm Wood Screws
Used to attach plank braces



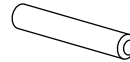
46x 20mm Screws
Used to attach wheels and bottom plank



1x Hex key



4x Wheels

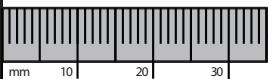


4x Wooden Dowels

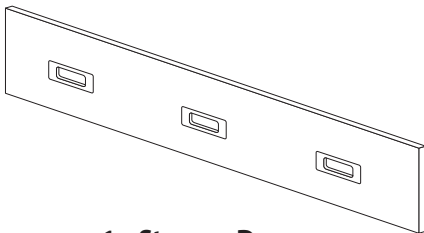


4x Wire Retainers

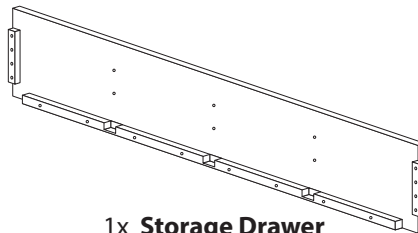
Guide



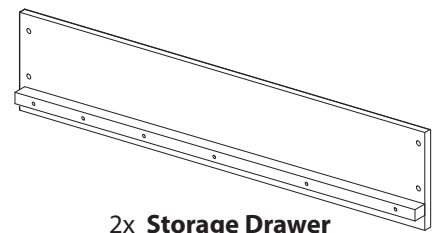
DRAWER PARTS



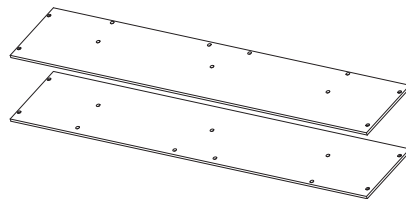
1x Storage Drawer Front Panel



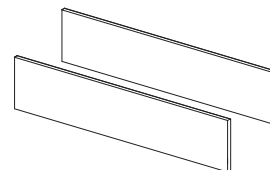
1x Storage Drawer Back Panel



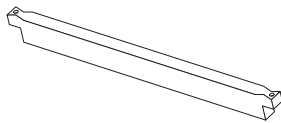
2x Storage Drawer End Panel



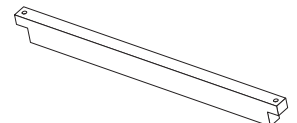
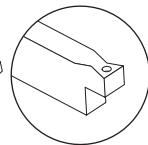
2x Bottom Planks



2x Drawer Divider



1x Middle Plank Brace

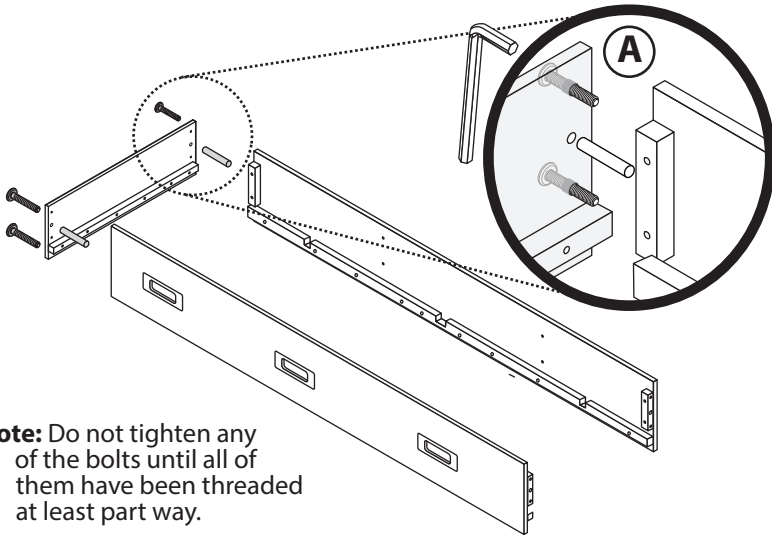


2x Plank Brace

HAVE QUESTIONS OR CONCERNS? CALL US FIRST: 1-800-589-7990

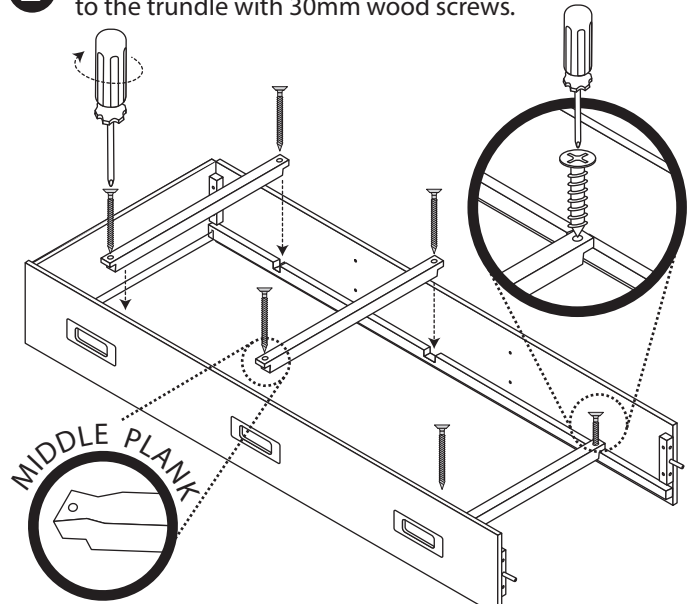
Copyright © 2018 Epoch Design™ All rights reserved

- 1** Attach end panel to the front and back panels with wooden dowels. Use 35mm bolts to tighten the end panel with the front and back panel (Diagram A).



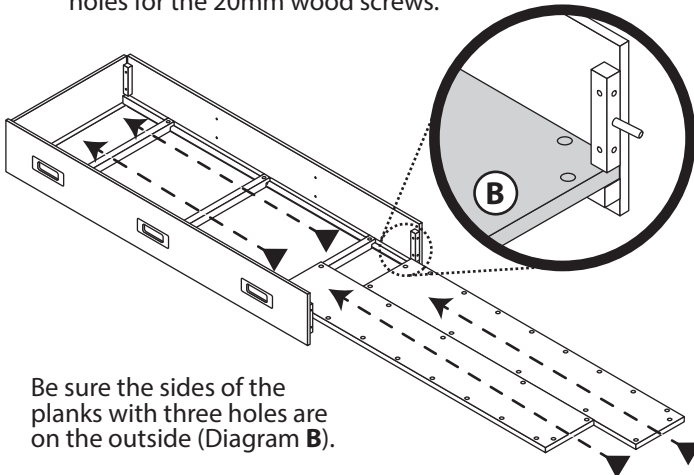
Note: Do not tighten any of the bolts until all of them have been threaded at least part way.

- 2** Attach the two plank braces and middle plank brace to the trundle with 30mm wood screws.



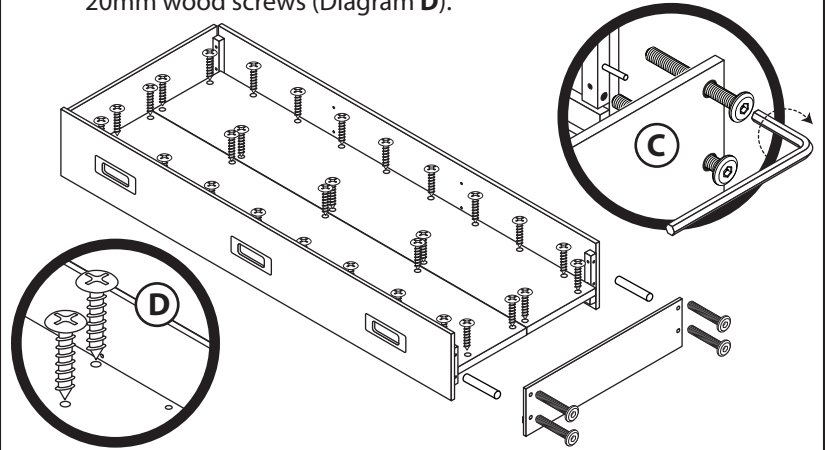
The braces should lay flush with the surrounding ledge.

- 3** Slide the two planks into the bottom part of the storage drawer. The top side of the planks will have countersunk holes for the 20mm wood screws.

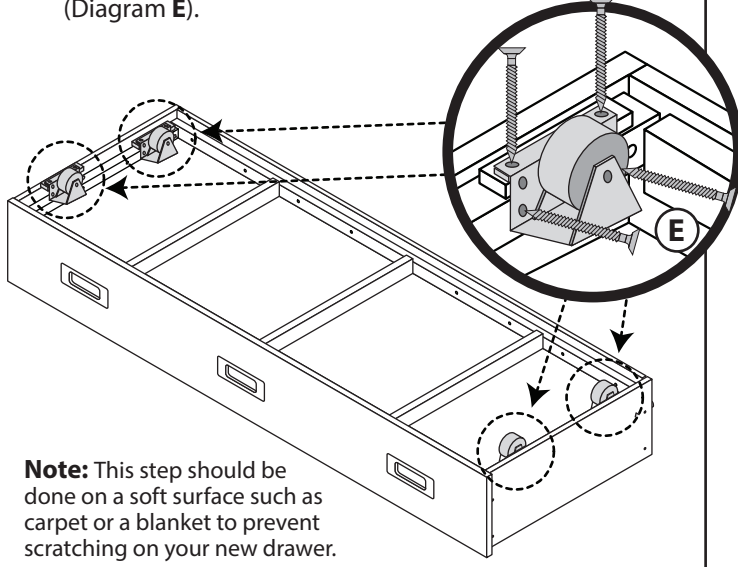


Be sure the sides of the planks with three holes are on the outside (Diagram B).

- 4** Attach end panel to the front and back panels with wooden dowels. Use 35mm bolts to tighten the end panel with the front and back panel (Diagram C). Attach the bottom planks with 20mm wood screws (Diagram D).



- 5** Carefully flip storage drawer over and attach wheels with four 20 mm wood screws per wheel as shown (Diagram E).



Note: This step should be done on a soft surface such as carpet or a blanket to prevent scratching on your new drawer.

- 6** **OPTIONAL COMPARTMENTALIZED STORAGE**

To compartmentalize the storage drawer, simply add the wire retainers and the wooden dividers as you wish in order to achieve your desired size storage area (Diagram F).

