



Seneca / Alta / Brighton 5 Drawer Dresser

5320: SE-5D-DR-CO

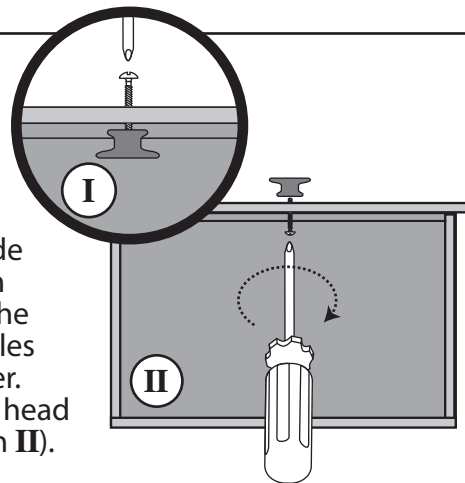
Congratulations on the purchase of your Seneca / Alta / Brighton 5 drawer dresser. This dresser has been crafted to the highest standards of quality and safety and will give you many years of enjoyment and practical use.

This dresser is a natural wood product and has been finished with a distressed patina. There will be variations in color and grain, and minor wood grain checking may occur. This is normal and does not compromise the integrity of your dresser. Variation in the character of this piece is integral to its beauty and distinguishes it from lower quality composite materials.

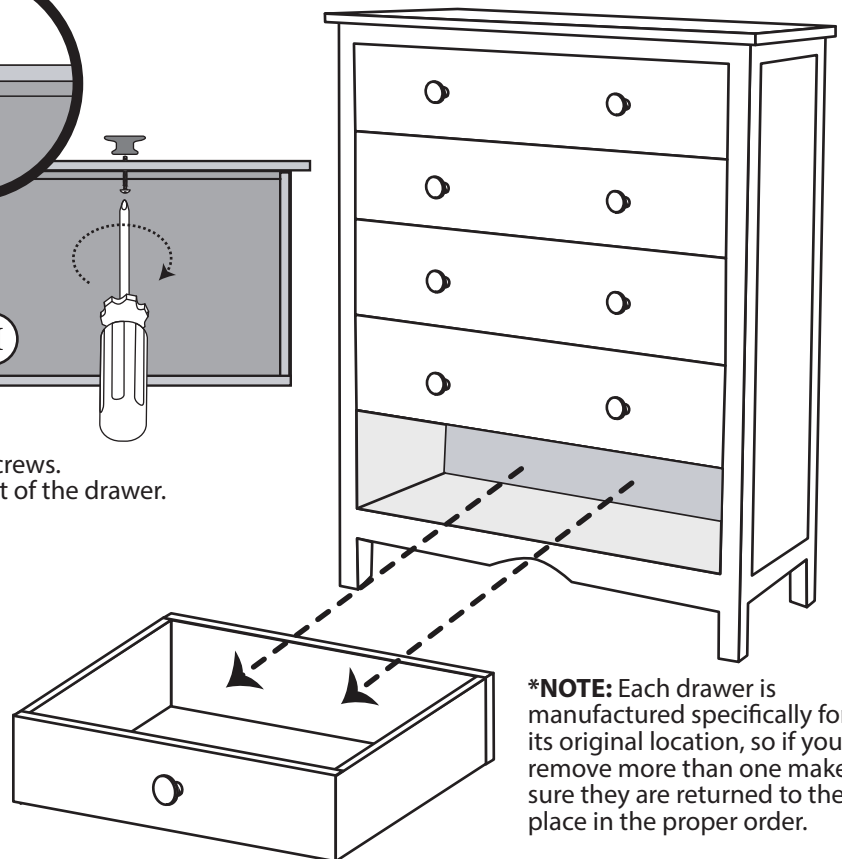
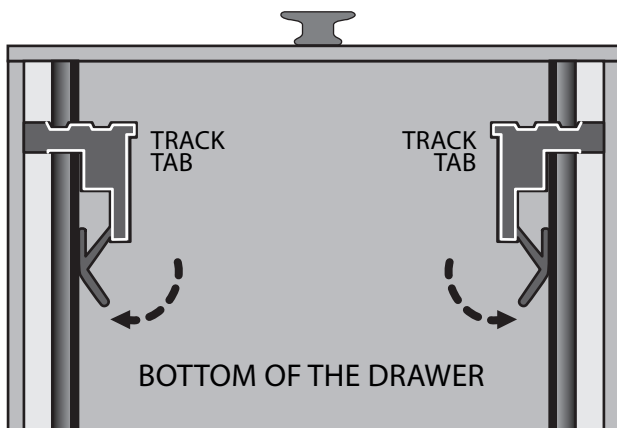
Assembly is quite simple and requires only a flat head or Phillips head screwdriver. The use of a power drill with Phillips head attachment is helpful but not necessary. Assembly will be most easily accomplished if you take the time to carefully sort the hardware and familiarize yourself with the function of each piece.

Drawer handles are pre-installed into each drawer for shipping. (As shown in Diagram I)

To install drawer handles, first unscrew the handle from the inside of the drawer. Place the handle on the outside of drawer and insert the screws through the pre-drilled holes located on the inside of the drawer. Tighten using flat head or Phillips head screwdriver. (As shown in Diagram II).



***NOTE:** Do not turn the handle to tighten or loosen the screws. Doing so will cause the handle to scratch the front of the drawer.



***NOTE:** Each drawer is manufactured specifically for its original location, so if you remove more than one make sure they are returned to their place in the proper order.

If you find you need to remove a drawer, push and hold the track tabs outward and pull the drawer out the rest of the way.

If you should require assistance with assembly, part replacement or any other matter, contact the toll-free Epoch Design Service Center from anywhere in the Continental United States, Monday through Friday, 9 AM – 5 PM Pacific Standard Time at 1-800-589-7990. You may also email your request or comments to info@epochbydesign.com and a service representative will respond.

Thank you and Enjoy

IMPORTANT: This dresser includes a tip-over hardware kit. We strongly recommend you use this hardware to help prevent dresser tip-over due to earthquakes or children attempting to climb or pull on dresser.

HAVE QUESTIONS OR CONCERNS? CALL US FIRST: 1-800-589-7990

Copyright © 2019 Epoch Design® All rights reserved