

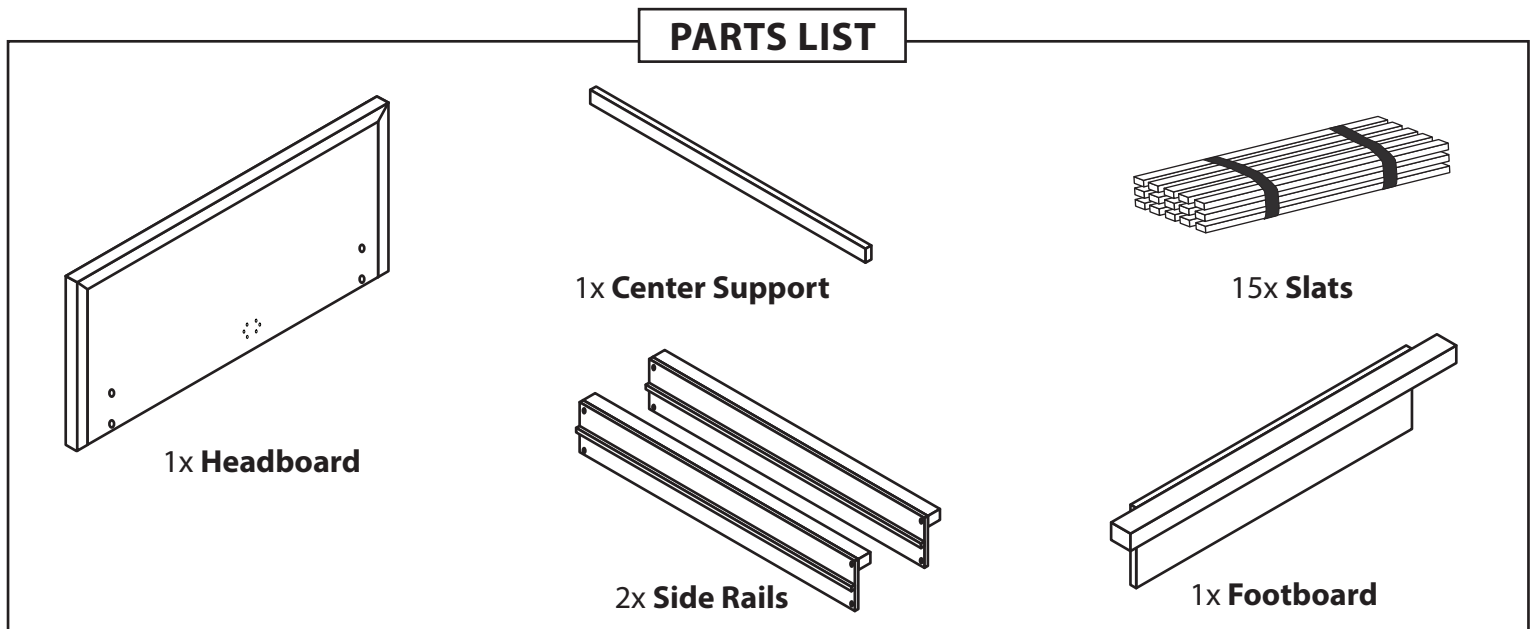
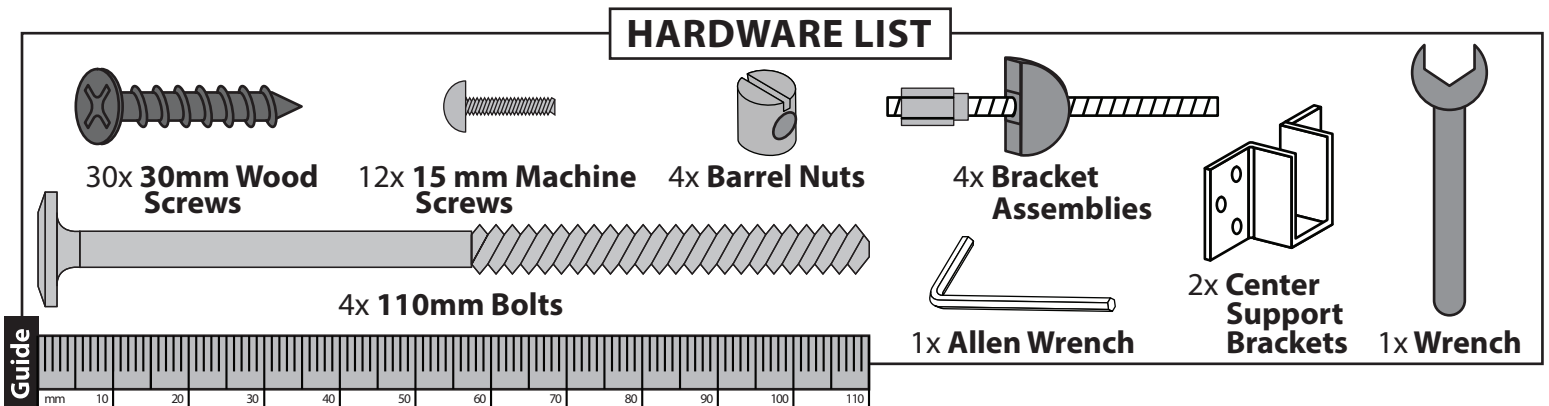


# Nara Platform Bed

5481, 5482

Congratulations on the purchase of your Epoch Design Nara Bamboo Platform Bed. This bed has been crafted to the highest standards of quality and safety and will give you many years of enjoyment and practical use. Since this is a natural bamboo product there will be variations in color and grain, and minor grain checking may occur. This is normal and does not compromise the integrity of your piece. Variation in the character of bamboo is integral to the beauty and appeal of this furniture, and distinguishes it from lower quality materials.

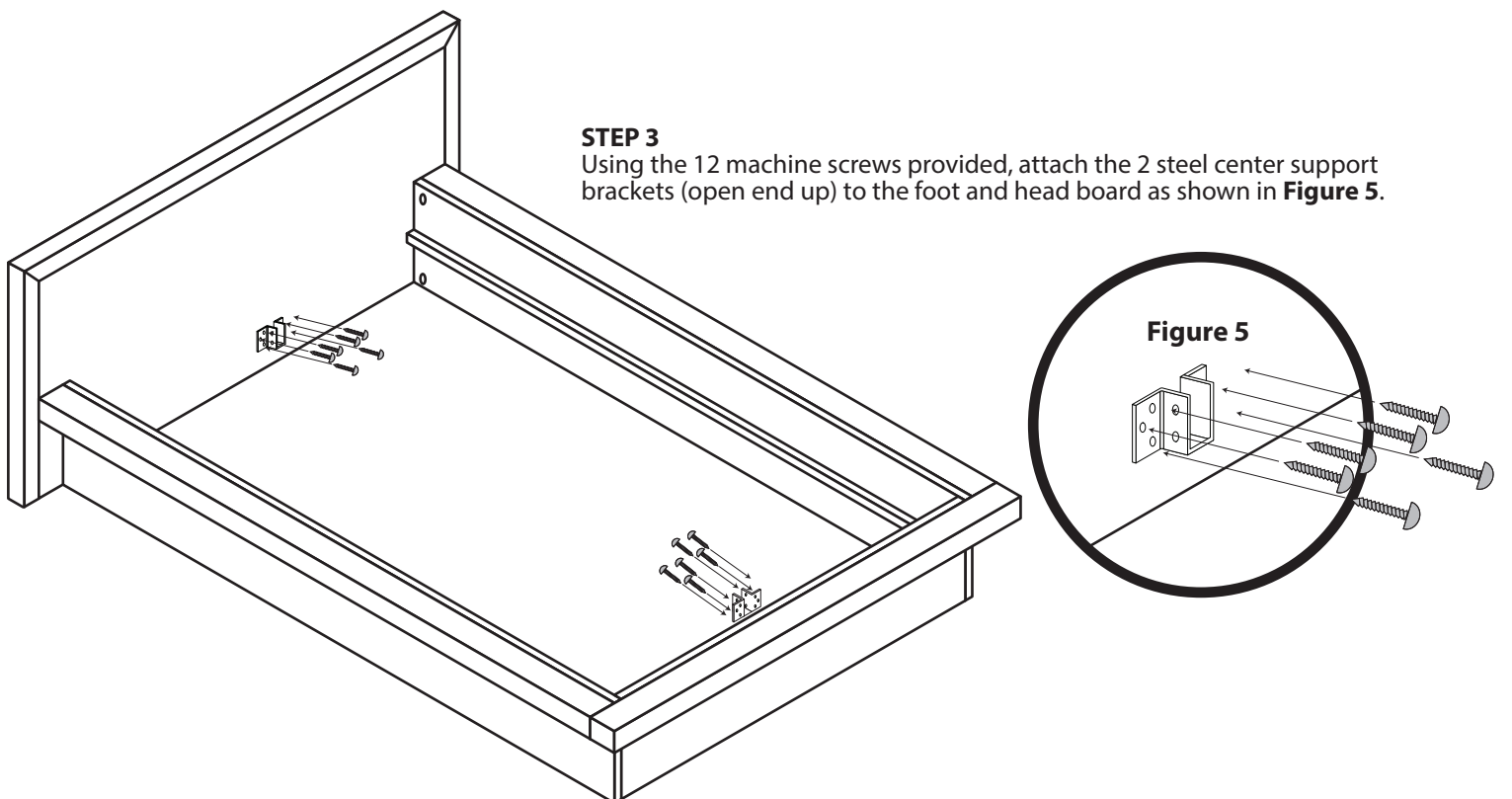
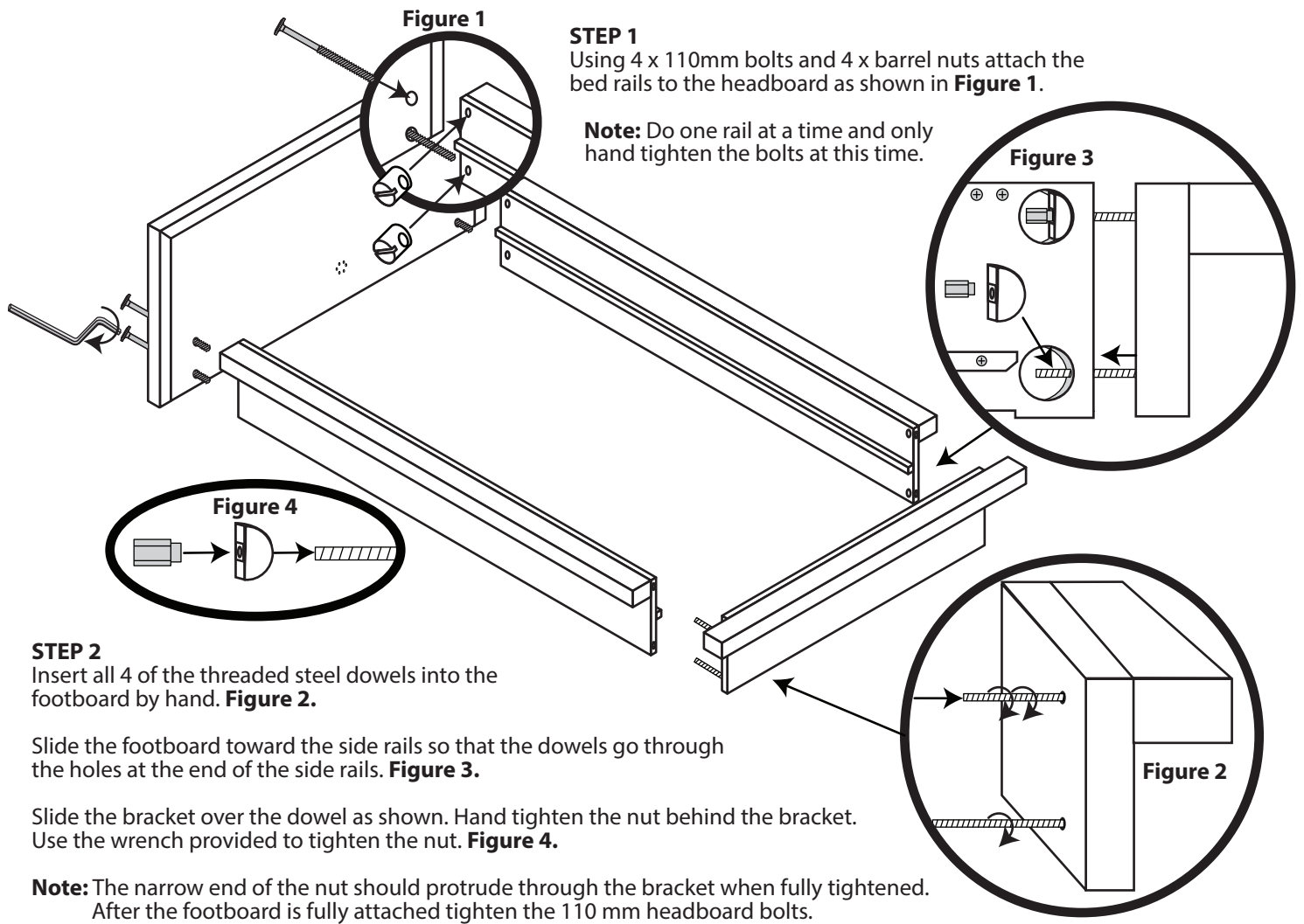
On this insert you will find a list of the hardware and platform bed parts necessary for assembly, as well as detailed instructions. Assembly is quite simple and requires only a flat head screwdriver and a Phillips head screwdriver. The use of a power drill with a Phillips head attachment with the clutch set on low is helpful but not necessary. Assembly will be most easily accomplished if you take the time to carefully sort the hardware and familiarize yourself with the function of each piece.



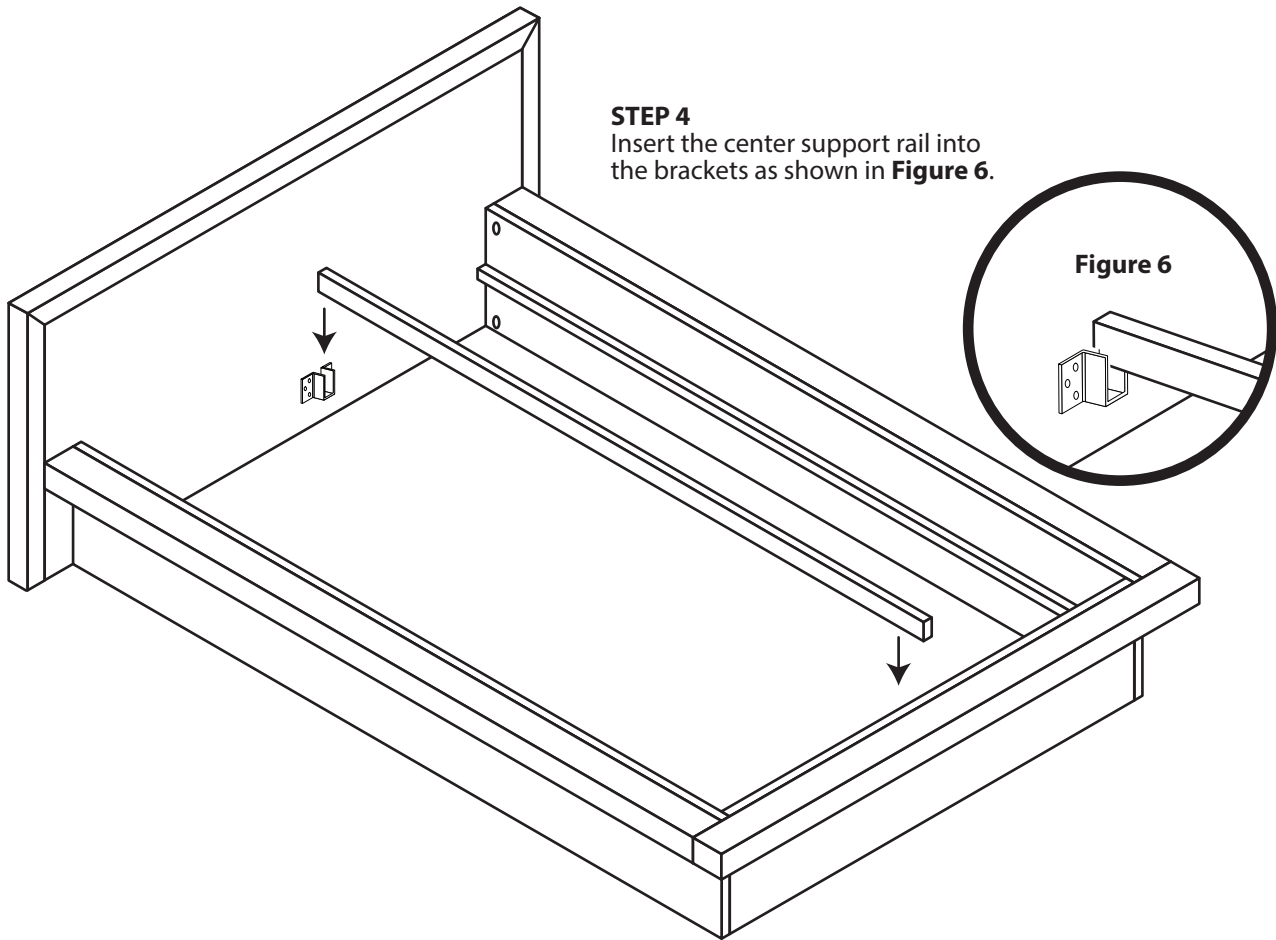
If you should require assistance with assembly, part replacement or any other matter, contact the toll-free Epoch Design Service Center from anywhere in the Continental United States, Monday through Friday, 9AM-5PM Pacific Standard Time at (800) 589-7990. You may also fax your request or comments to (425) 284-0885 and/or email to [info@epochbydesign.com](mailto:info@epochbydesign.com) and a service representative will respond.

**HAVE QUESTIONS OR CONCERNS? CALL US FIRST: 1-800-589-7990**

Copyright © 2018 Epoch Design™ All rights reserved



**STEP 4**  
Insert the center support rail into the brackets as shown in **Figure 6**.



**STEP 5**  
Lay out the slats evenly on bed, strap side down.

Using the 30mm slat screws provided, screw the slat closest to the headboard to the two outside slat rails.

