



McKenzie Loft Bed

5115: MK-TW-LB-NB

5118: MK-TW-LB-CO

Congratulations on the purchase of your McKenzie Twin Loft Bed. This bed has been crafted to the highest standards of quality and safety and will give you many years of enjoyment and practical use. Your loft bed can be used for sleeping and also for a highly space efficient work area under the bed.

Since this bed is a natural wood product, there will be variations in color and grain, and minor checking may occur. This is normal and does not compromise the integrity of your bed. In fact, variation in character of solid hardwood is integral to the beauty and appeal of hardwood furniture, and distinguishes it from prefabricated, synthetic and composite materials.

Several basic safety considerations must be adhered to when using this bunk bed.

TO HELP PREVENT SERIOUS OR FATAL INJURY FROM ENTRAPMENT OR FALLS:

- Never allow a child under 6 years on a loft bed
- Always use the recommended size mattresses or mattress supports:
Standard twin 38"x 74" (96.5 cm x 188 cm) to help prevent the likelihood of entrapment or falls
- Ensure thickness of mattress does not exceed 9" (22.9 cm) for the upper bed
- Surface of mattress must be at least 5" (12.7 cm) below upper edge of safety rails
- Always use safety rails on both sides of upper bed
- Do not allow horseplay on or under bed(s) and prohibit jumping on the bed(s)
- Prohibit more than one person on the loft bed
- If the loft will be placed next to a wall, the safety rail that runs the full length of the bed should be placed against the wall to prevent entrapment between the bed and the wall
- Follow the information on the warnings appearing on the loft bed end board and on the carton
- Do not remove warning label from bed
- Periodically check and ensure that the safety rails, ladder and other components are in their proper positions, free from damage, and that all connectors are tight
- Do not use substitute parts
- Contact manufacturer or dealer for replacement parts
- The use of a water or sleep flotation mattress is prohibited
- Keep these instructions for future reference
- Use of a night light may provide added safety precaution for a child using the upper bunk
- STRANGULATION HAZARD - Never attach or hang items to any parts of the bunk bed that are not designed for use with the bed, including but not limited to hooks, belts or jump ropes

On this insert you will find a list of the hardware and loft bed parts necessary for assembly, as well as detailed instructions. Assembly is quite simple and requires only a flat head screwdriver and a Phillips head screwdriver. The use of a power drill with a clutch and a Phillips head attachment is helpful but not necessary. Assembly will be most easily accomplished if you take the time to carefully sort the hardware and familiarize yourself with the function of each piece.

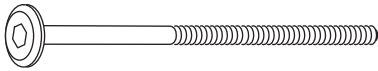
If you should require assistance with assembly, part replacement or any other matter, contact the toll-free Epoch Design Service Center from anywhere in the Continental United States, Monday through Friday, 9 AM – 5 PM Pacific Standard Time at 1-800-589-7990. You may also email your request or comments to info@epochbydesign.com and a service representative will respond.

Thank you and Enjoy

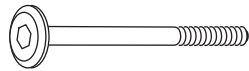
HAVE QUESTIONS OR CONCERNS? CALL US FIRST: 1-800-589-7990

Copyright © 2018 Epoch Design™ All rights reserved

HARDWARE LIST



36x 110mm bolts
Used to connect head boards and foot boards to side rails



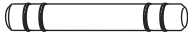
22x 40mm bolts
Used to assemble long safety rails, connect safety rails to side rails and assemble accessories



9 x 50mm JC screws
Used to attach desktop to bottom end board



30x 30mm slat screw
Used to screw slats to rails



4x bunk connector pins
Used to connect upper bunk to lower unit



2x Printer/CPU brackets
Brackets to hold accessory part S

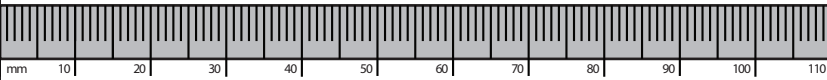


36x Barrel nuts
Used to secure 110mm bolts



1x Hex key
Used to tighten hardware

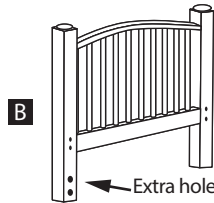
Guide



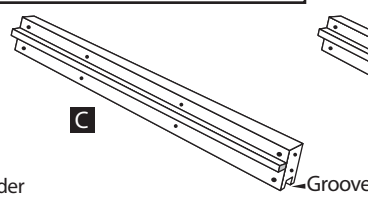
LOFT BED PARTS



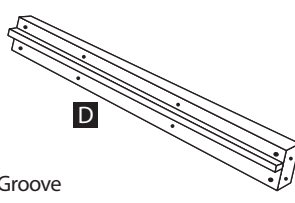
1x Head board
For upper loft



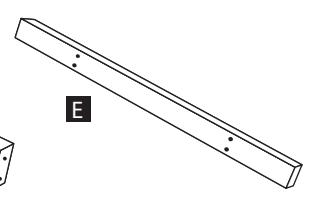
1x Foot board
For ladder side of upper loft



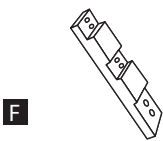
1x Grooved upper side rail
Connects head boards on wall side of upper loft



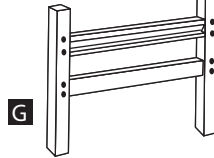
1x Upper side rail
Connects head boards on the ladder side of loft



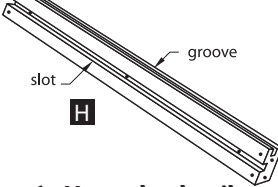
2x Long safety rails
For attachment to upright support on wall side of loft



2x Upright support
For attachment of long safety rails to loft



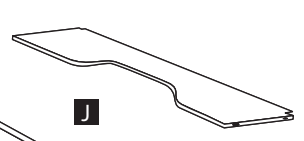
2x Bottom end boards
For use on the lower part of loft



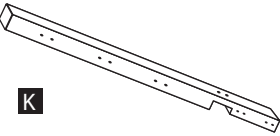
1x Upper back rail
Connects end boards on the lower unit



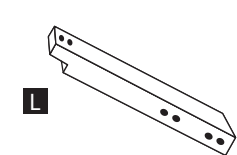
1x Lower back rail
Connects end boards on the lower unit



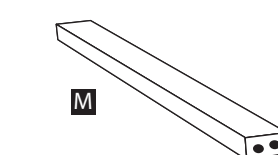
1x Table top
With premounted keyboard bracket



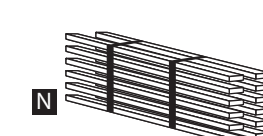
1x Long upright support
For front ladder and front safety rail



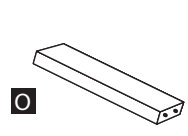
1x Short upright support
Support for ladder side safety rail



2x Short safety rails
Attach on front of bed between long and short upright supports

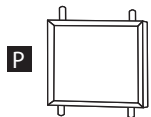


1x Slat bundle
Rests on side rails (strap side down)

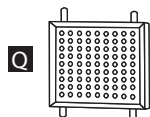


3x Ladder steps
Connect with long upright support

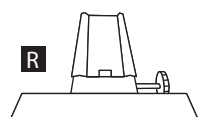
ACCESSORIES



Cork backboard



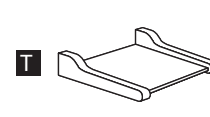
Pegboard backboard



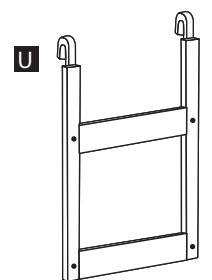
Keyboard tray



Computer/printer tray



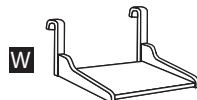
Upper shelf for bookshelf tray



Upright support for bookshelf



Lower shelf for bookshelf tray



Alarm clock / bookshelf tray



Wire file holder

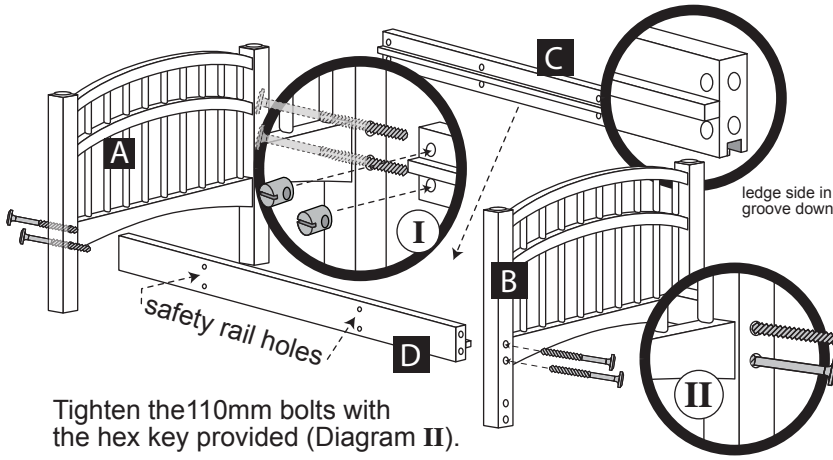


Wire Shelf



Wire basket

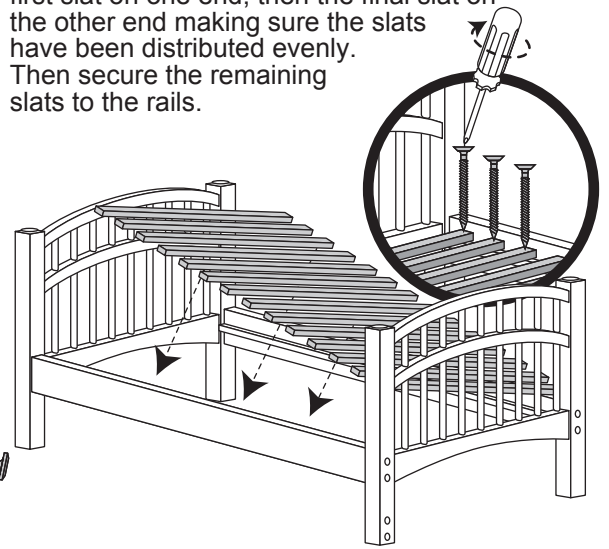
1 To assemble the McKenzie loft bed arrange side rails **C** and **D** (with pre-drilled safety rail holes on the side of each rail) ledge side in, between headboard **A** and footboard **B**. Rail **C** should have it's groove side down on the back wall side of the loft bed. Insert the barrel nuts into the side rails. Insert 110mm bolts through the end boards and into the barrel nuts (See Diagram **I**).



Tighten the 110mm bolts with the hex key provided (Diagram **II**).

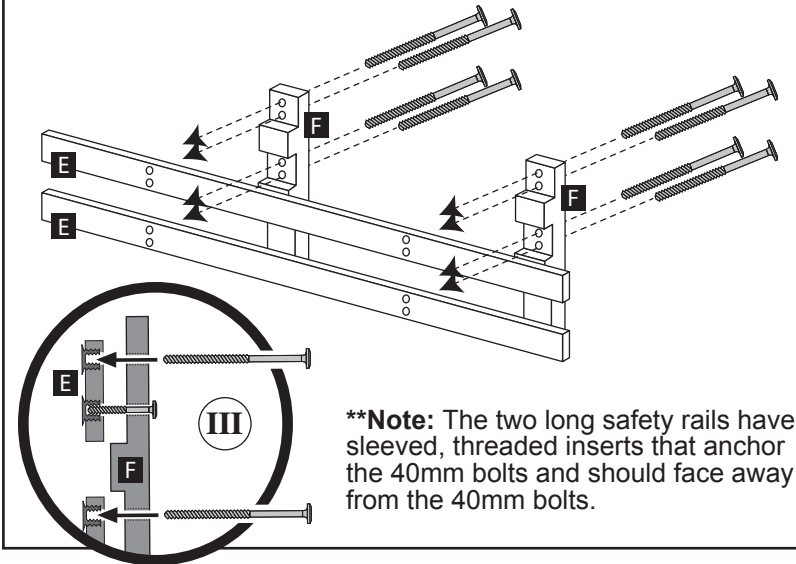
****NOTE:** For left ladder configuration reverse headboard **A** & footboard **B**.

2 Unroll the slat bundle and lay it out strap side down on the upper bunk. Using a Phillips head screwdriver and 30mm slat screws, secure the first slat on one end, then the final slat on the other end making sure the slats have been distributed evenly. Then secure the remaining slats to the rails.



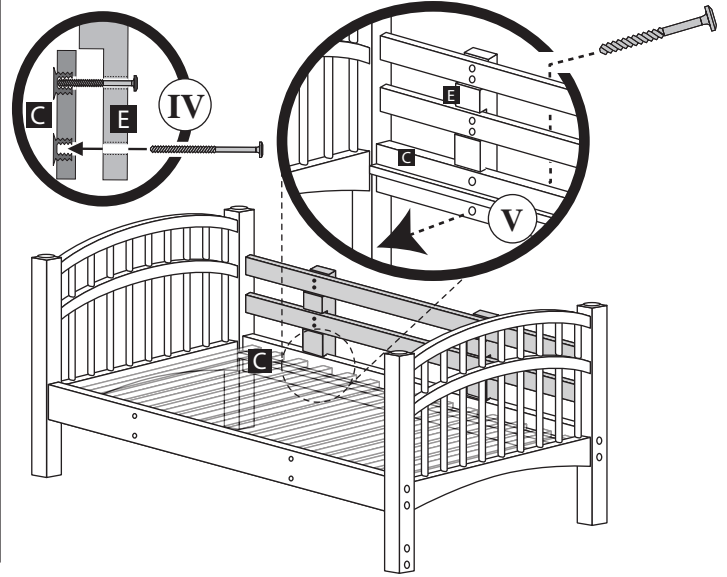
***Note:** A power screwdriver with clutch set to low comes in handy here.

3 Attach the two long safety rails **E** to the unassembled upright supports **F** using eight 40mm bolts. Tighten with hex key (See Diagram **III**).

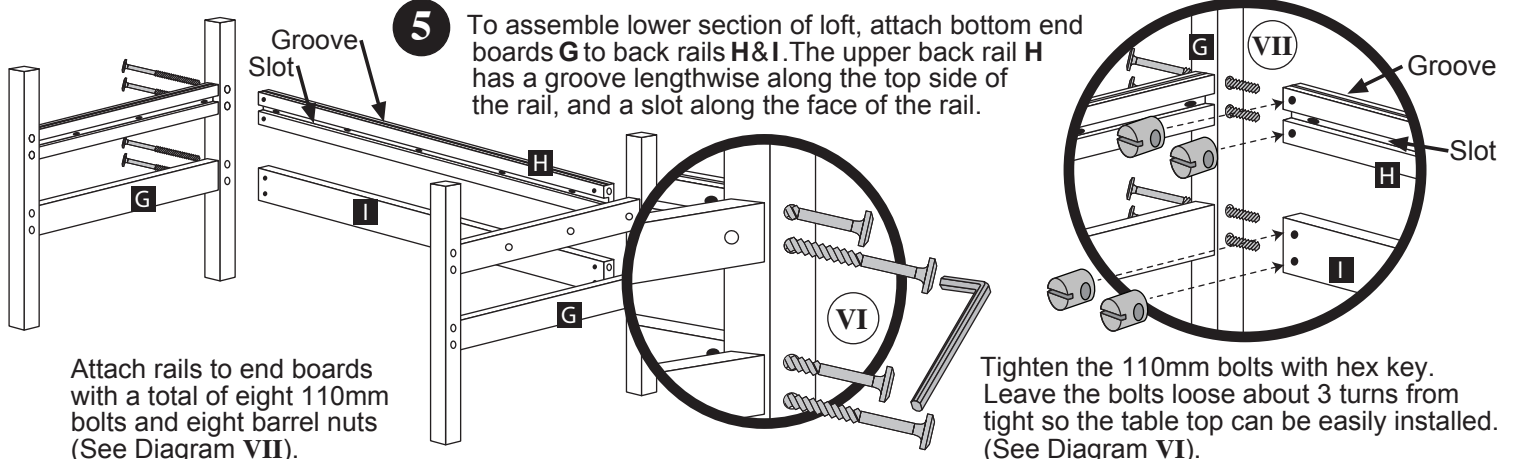


****Note:** The two long safety rails have sleeved, threaded inserts that anchor the 40mm bolts and should face away from the 40mm bolts.

4 Attach the assembly of **F** and **E** safety rails to the rear side rail **C** of the upper loft bunk using four 40mm bolts (See Diagrams **IV** & **V**).



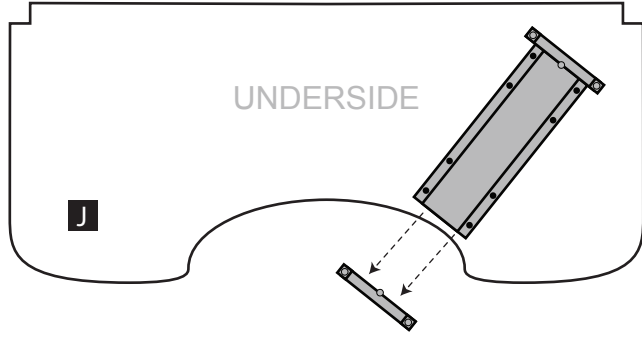
5 To assemble lower section of loft, attach bottom end boards **G** to back rails **H** & **I**. The upper back rail **H** has a groove lengthwise along the top side of the rail, and a slot along the face of the rail.



Attach rails to end boards with a total of eight 110mm bolts and eight barrel nuts (See Diagram **VII**).

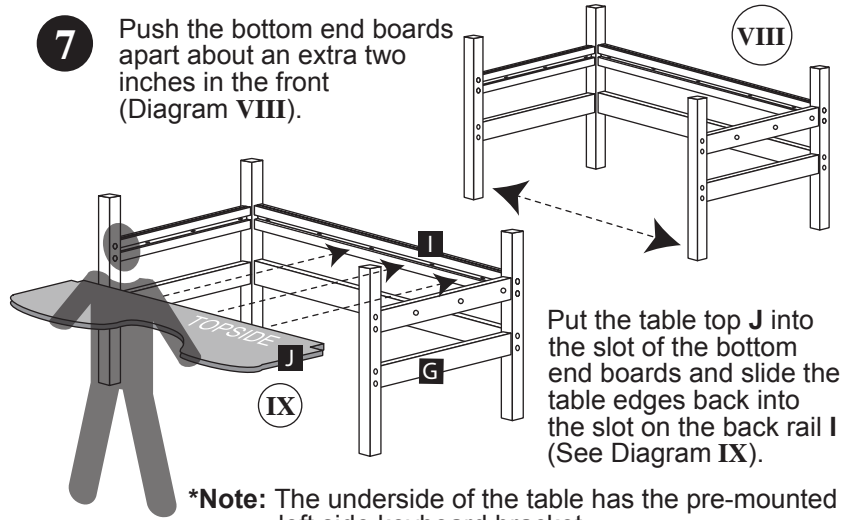
Tighten the 110mm bolts with hex key. Leave the bolts loose about 3 turns from tight so the table top can be easily installed. (See Diagram **VI**).

6 Using a Phillips head screw driver remove the three round head screws holding the front track guard on the underside of desk part **J**.



Set the track guard and three round head screws aside to be re-installed in step #15.

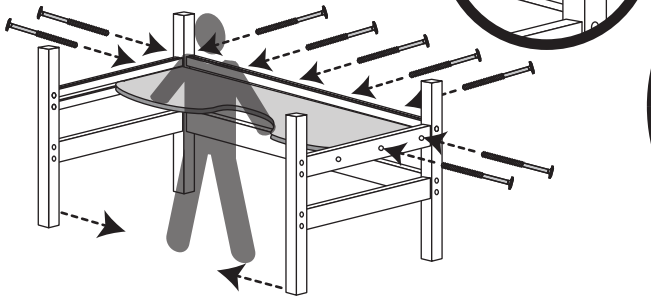
7 Push the bottom end boards apart about an extra two inches in the front (Diagram VIII).



Put the table top **J** into the slot of the bottom end boards and slide the table edges back into the slot on the back rail **I** (See Diagram IX).

***Note:** The underside of the table has the pre-mounted left side keyboard bracket.

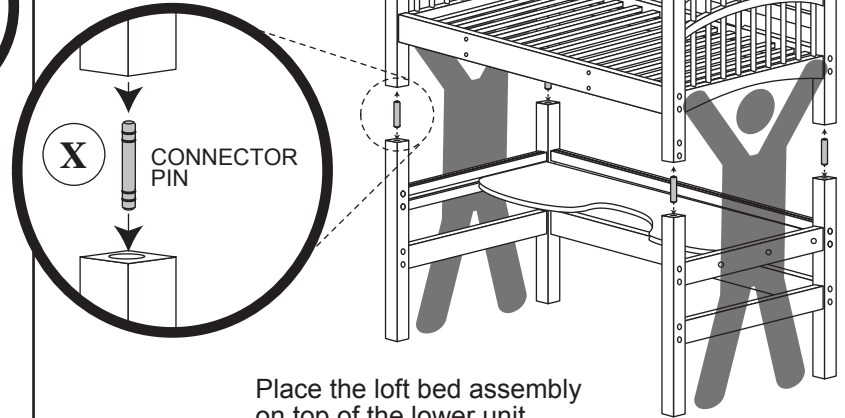
8 With the table top seated in the slots of the end boards, return the front legs of the end boards to their original position. Insert nine 50mm JC screws through the end boards and upper slotted back rail into the edge of the desk and tighten with the hex key.



Now fully tighten the eight 110mm bolts that attach the end boards to the back rails.

***Note:** There will be one extra hole on each end board.

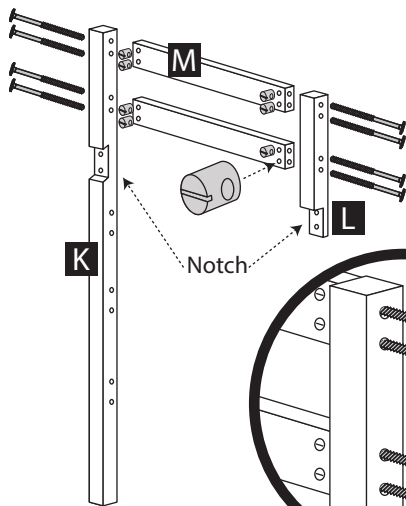
9 Insert bunk connector pins into each of the four corner posts of the lower unit (See Diagram X).



Place the loft bed assembly on top of the lower unit.

10 Locate the ladder upright support **K**, the short upright support **L** and the two short safety rails **M**.

****NOTE:** For left ladder configuration reverse parts **L** & **K**.



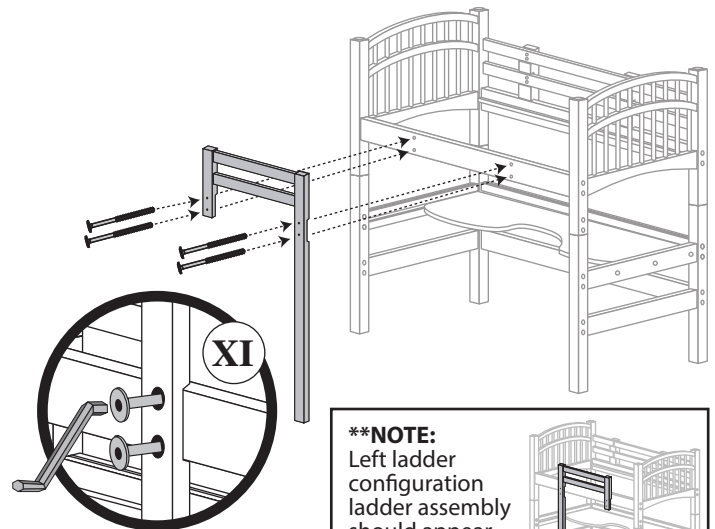
Insert four barrel nuts into each short safety rail and four 110mm bolts into each upright support.

Make sure the notches on the upright supports face the same direction.

Tighten with hex key.

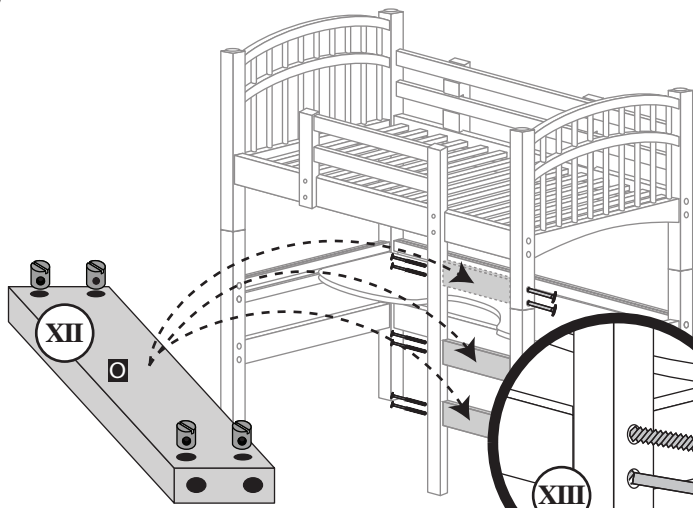
***NOTE:** Left ladder configuration

11 Attach the ladder/safety rail assembly to the loft using four 40mm bolts as shown.

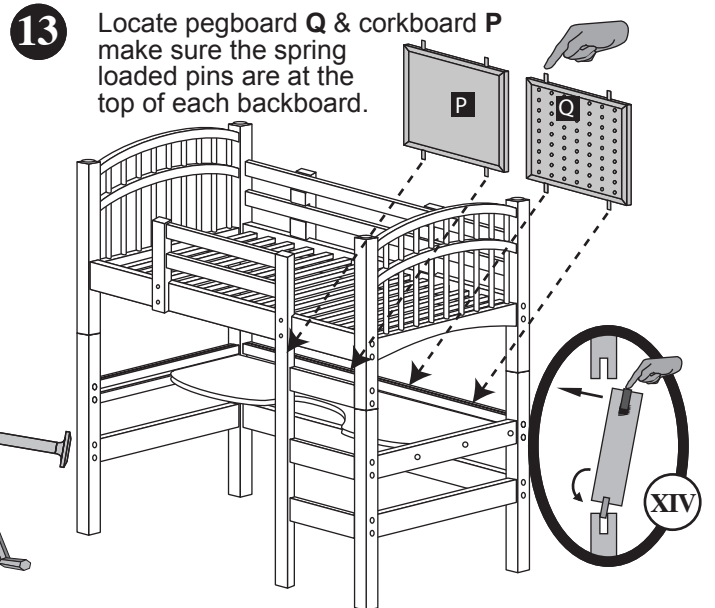


Tighten with the hex key (See Diagram XI).

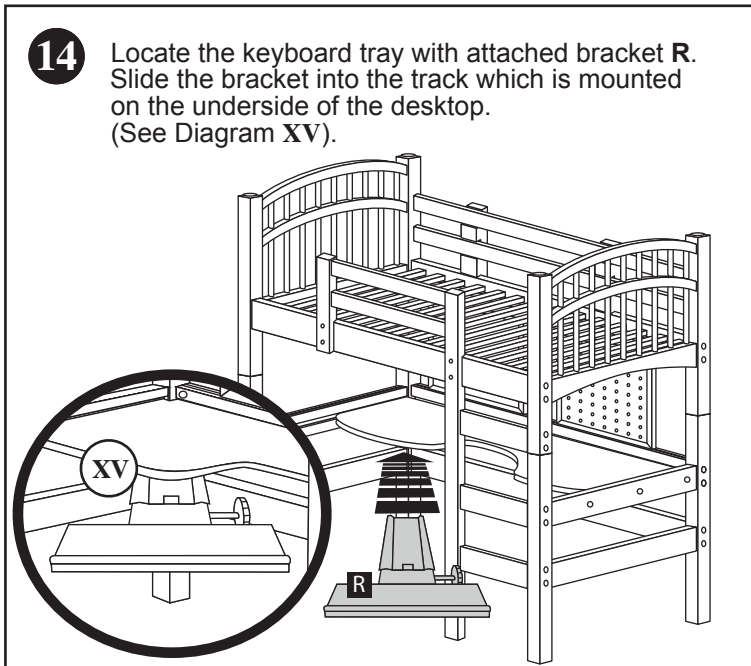
****NOTE:** Left ladder configuration ladder assembly should appear as shown.



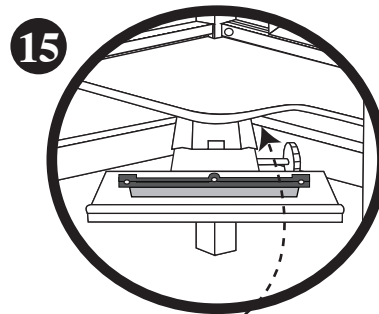
12 Insert four barrel nuts into each of the three ladder steps O and secure them to the loft with four 110mm bolts each as shown. (See Diagram XII). Tighten the bolts with the hex key provided (See Diagram XIII).



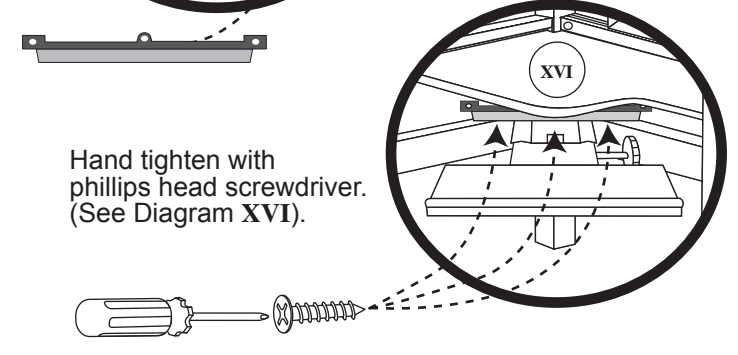
13 Locate pegboard Q & corkboard P make sure the spring loaded pins are at the top of each backboard.
Push the pins flush to the backboard and insert it into the grooved rails on the loft (See Diagram XIV).



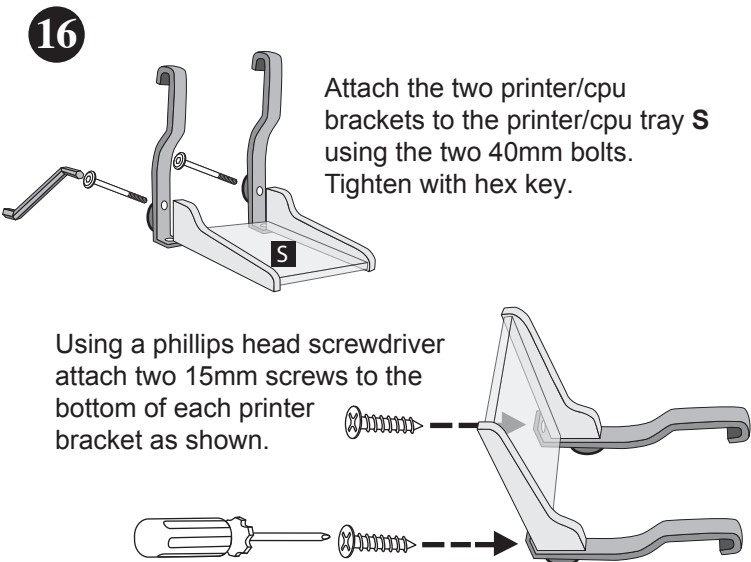
14 Locate the keyboard tray with attached bracket R. Slide the bracket into the track which is mounted on the underside of the desktop. (See Diagram XV).



15 Retrieve the 3 round head screws along with the track guard from step #6 and re-attach it to the bottom of the desk on the front edge of the track.

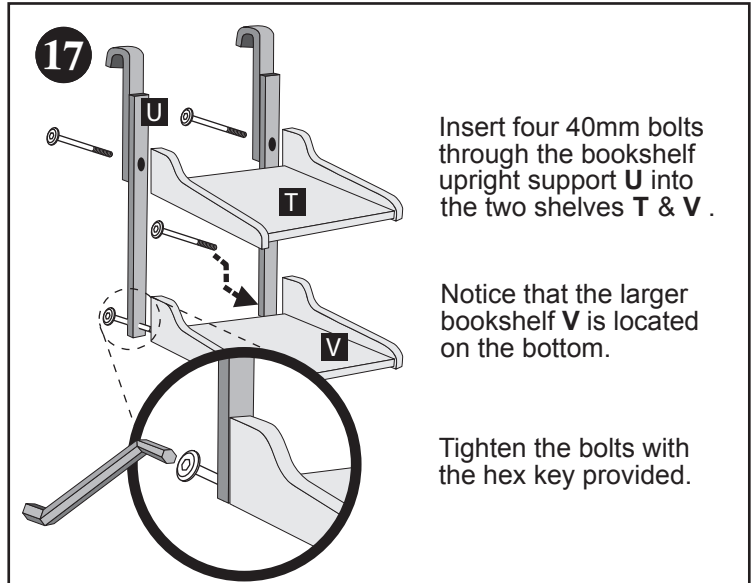


Hand tighten with phillips head screwdriver. (See Diagram XVI).



16 Attach the two printer/cpu brackets to the printer/cpu tray S using the two 40mm bolts. Tighten with hex key.

Using a phillips head screwdriver attach two 15mm screws to the bottom of each printer bracket as shown.

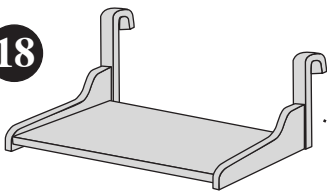


17 Insert four 40mm bolts through the bookshelf upright support U into the two shelves T & V.

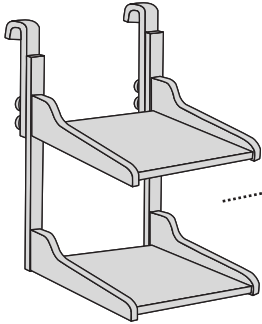
Notice that the larger bookshelf V is located on the bottom.

Tighten the bolts with the hex key provided.

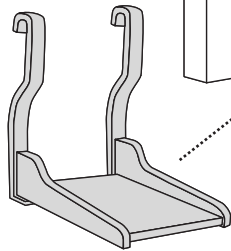
18



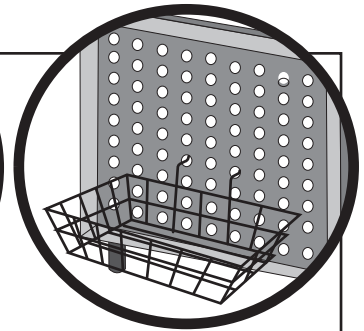
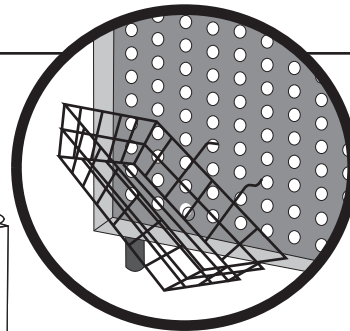
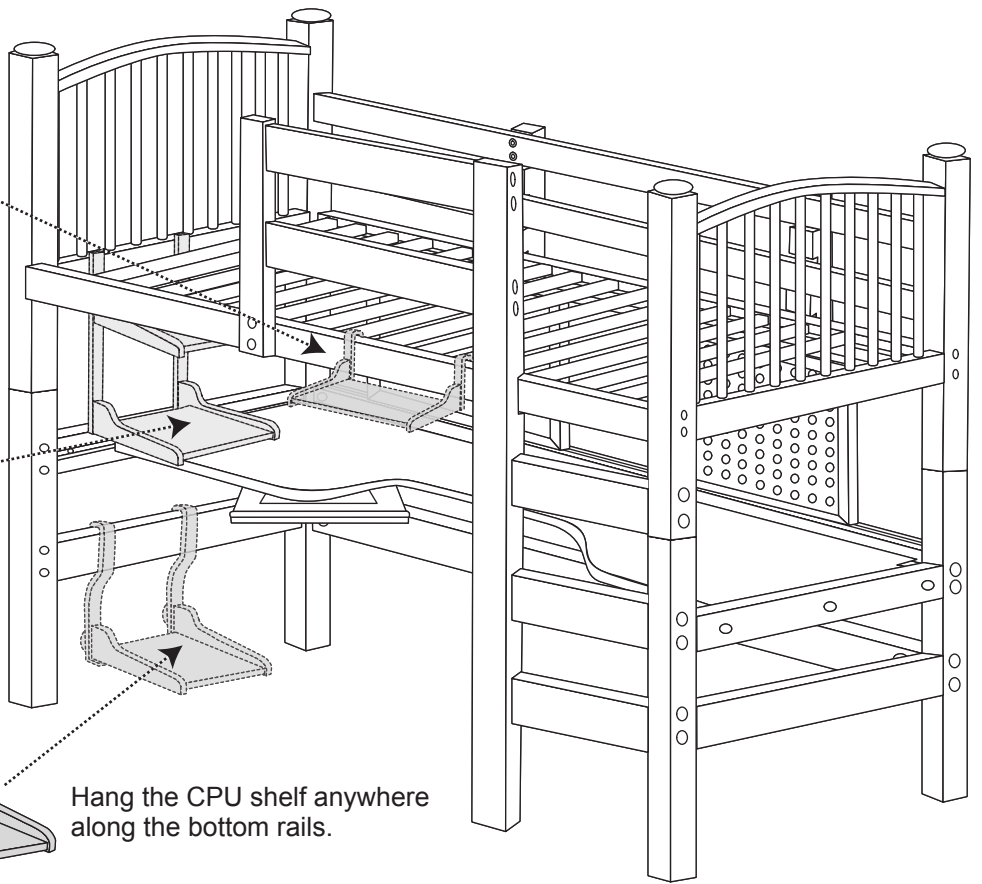
Hang the alarm clock shelf anywhere along the top safety rails.



Hang your bookshelf anywhere along the headboard on either end of the bed.

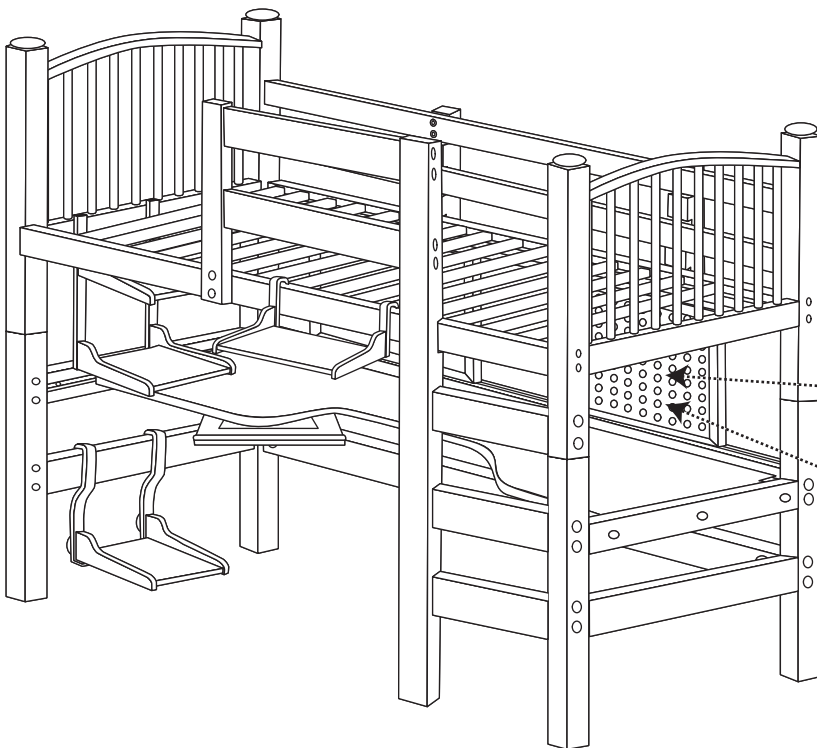
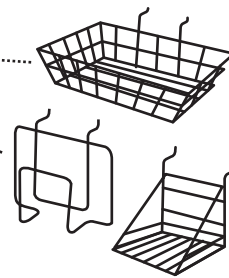


Hang the CPU shelf anywhere along the bottom rails.



19

Starting with the largest and working your way to the smallest attach your three wire organizers by tilting the baskets and inserting the prongs into the pegboard holes, then bringing them to a level position.



Congratulations, you are now ready to enjoy your loft bed.