



## Kenai Loft Bed with Dresser

5142: KE-TW-LB-CO

5121: KE-TW-LB-NB

Congratulations on the purchase of your Kenai Twin Loft Bed. This bed has been crafted to the highest standards of quality and safety and will give you many years of enjoyment and practical use.

Since this bed is a natural wood product, there will be variations in color and grain, and minor checking may occur. This is normal and does not compromise the integrity of your bed. In fact, variation in character of solid hardwood is integral to the beauty and appeal of hardwood furniture, and distinguishes it from prefabricated, synthetic and composite materials.

Several basic safety considerations must be adhered to when using this Loft bed.

### TO HELP PREVENT SERIOUS OR FATAL INJURY FROM ENTRAPMENT OR FALLS:

- Never allow a child under 6 years on upper bunk
- Always use the recommended size mattresses or mattress supports – standard twin 38"x 74" (96.5 cm x 188 cm) – to help reduce the likelihood of entrapment or falls
- Ensure thickness of mattress does not exceed 9" (22.9 cm) for the upper bed
- Surface of mattress must be at least 5" (12.7 cm) below upper edge of safety rails
- Always use safety rails on both sides of upper bunk
- Do not allow horseplay on or under bed(s) and prohibit jumping on the bed(s)
- Prohibit more than one person on upper bed
- If the bunk will be placed next to a wall, the safety rail that runs the full length of the bed should be placed against the wall to prevent entrapment between the bed and the wall
- Follow the information on the warning labels appearing on the upper bunk end board and on the carton
- Do not remove warning label from bed
- Periodically check and ensure that the safety rails, ladder and other components are in their proper positions, free from damage, and that all connectors are tight
- Do not use substitute parts
- Contact manufacturer or dealer for replacement parts
- The use of a water or sleep flotation mattress is prohibited
- Keep these instructions for future reference
- Use of a night light may provide added safety for a child using the upper bunk
- STRANGULATION HAZARD- Never attach or hang items to any parts of the bunk bed that are not designed for use with the bed, including but not limited to hooks, belts or jump ropes

On this insert you will find a list of the hardware and bunk bed parts, as well as detailed assembly instructions. Assembly is quite simple, and requires only a flat head screwdriver and a Phillips head screwdriver. The use of a power drill with a clutch and a Phillips head attachment is helpful but not necessary. Assembly will be most easily accomplished if you take the time to carefully sort the hardware and familiarize yourself with the function of each piece.

If you need assistance with assembly, part replacement, or any other matter, please contact the toll-free Epoch Design Customer Service Team from Monday - Friday, 9 AM-5 PM PST at 1 (800) 589-7990. You may also email your request or comments to [info@epochbydesign.com](mailto:info@epochbydesign.com) and a customer service representative will respond.

Thank you and Enjoy

HAVE QUESTIONS OR CONCERNS? CALL US FIRST: 1-800-589-7990

Copyright © 2018 Epoch Design™ All rights reserved

# HARDWARE LIST

**8x 110mm bolts**  
To connect headboard, footboard and front safety rails

**4x 20mm bolts**  
To secure rails to dresser and end board

**28x 30mm slat screws**  
to secure slats

**2x 15mm round head screws**  
To attach ladder hooks to side rail

**16x 40mm bolts**  
To secure safety rails

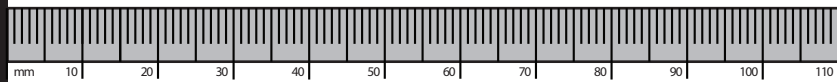
**8x 40mm JC screws**  
To secure desk

**8x Barrel nuts**  
To secure 110mm bolts

**4x Connector pins**  
To connect upper and lower headboards

**1x Hex key**  
To tighten bolts

Guide



# LOFT BED PARTS

**A** **1x Headboard**  
For upper loft

**B** **1x Footboard**  
For dresser side of upper loft

**C** **1x Upper side rail (rear)**  
Connects headboards on upper loft

**D** **1x Upper side rail (front)**  
Connects headboards on upper loft

**E** **2x Long safety rails**  
Attach to upright on wall side of loft

**F** **2x Upright supports**  
For attachment of long safety rail to loft

**G** **1x Short safety rail**  
Safety rail for ladder side of upper loft

**H** **1x Upper back rail**  
Connect dresser, end board and desk on lower unit

**I** **1x Lower back rail**  
Connect dresser and end board on lower unit

**J** **1x Dresser**  
For lower loft to support upper loft and desktop

**K** **1x Bottom end board**  
For lower loft to support upper loft and desktop

**L** **1x Desktop**  
For lower loft

**Q** **1x Slat bundle**  
Rest on side rails (strap side down)

**R** **1x Ladder**  
For access to upper loft

# ACCESSORIES

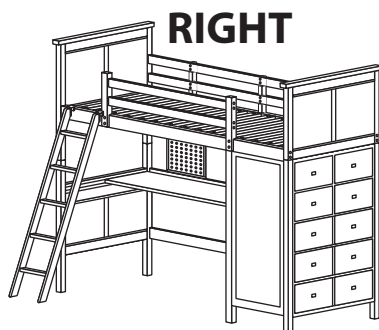
**M** **1x Wire file holder**

**N** **1x Wire shelf**

**O** **1x Wire basket**

**P** **1x Pegboard**

**PLEASE NOTE:** The Kenai Loft Bed directions are for a right dresser set-up



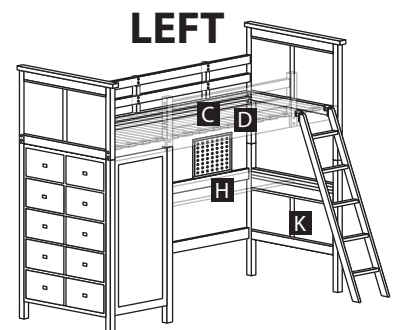
**RIGHT**

## LEFT SIDE CONFIGURATION

The Kenai Loft Bed can be assembled as a left side dresser configuration with a few alterations in assembly:

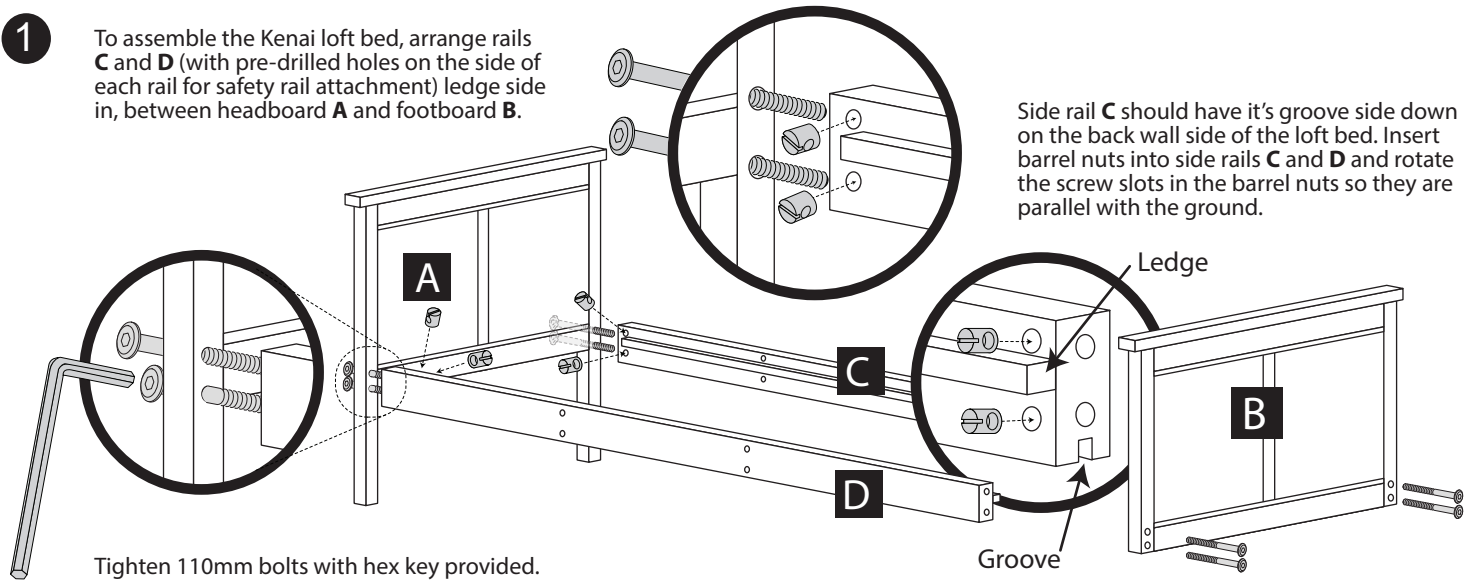
- Parts **C & D** are switched to opposite sides
- Step 4 the long safety rail is always attached to part **C**
- Parts **H & I** are attached to the opposite side of the dresser and endboard than shown in STEP 6
- The Desk top is finished on both sides so it can be flipped for a left side configuration

**\*\*NOTE:** The larger notch on desktop corner goes toward end board **K**

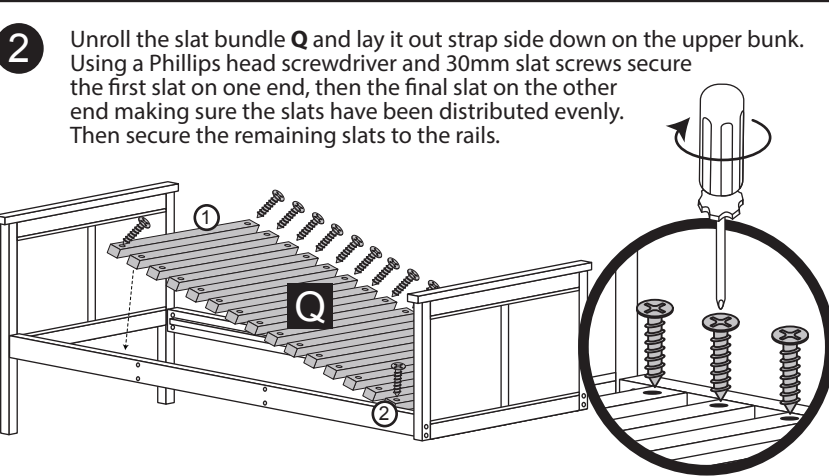


**LEFT**

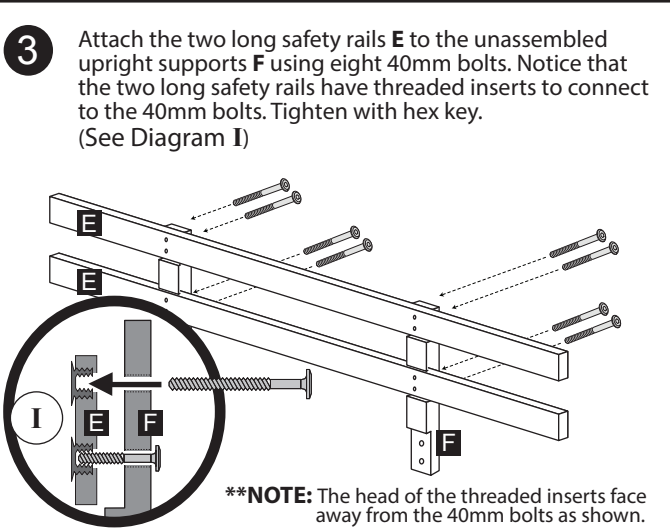
**1** To assemble the Kenai loft bed, arrange rails **C** and **D** (with pre-drilled holes on the side of each rail for safety rail attachment) ledge side in, between headboard **A** and footboard **B**.



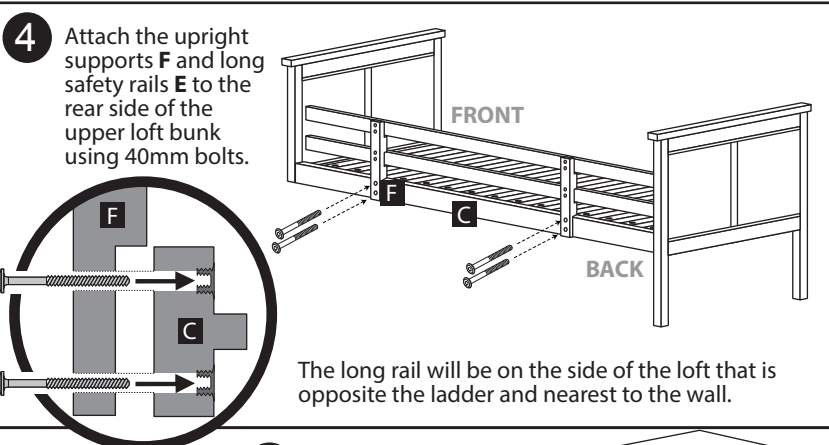
**2** Unroll the slat bundle **Q** and lay it out strap side down on the upper bunk. Using a Phillips head screwdriver and 30mm slat screws secure the first slat on one end, then the final slat on the other end making sure the slats have been distributed evenly. Then secure the remaining slats to the rails.



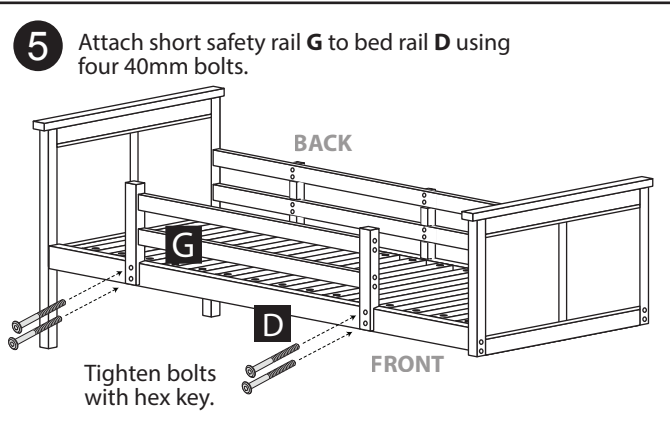
**3** Attach the two long safety rails **E** to the unassembled upright supports **F** using eight 40mm bolts. Notice that the two long safety rails have threaded inserts to connect to the 40mm bolts. Tighten with hex key. (See Diagram **I**)



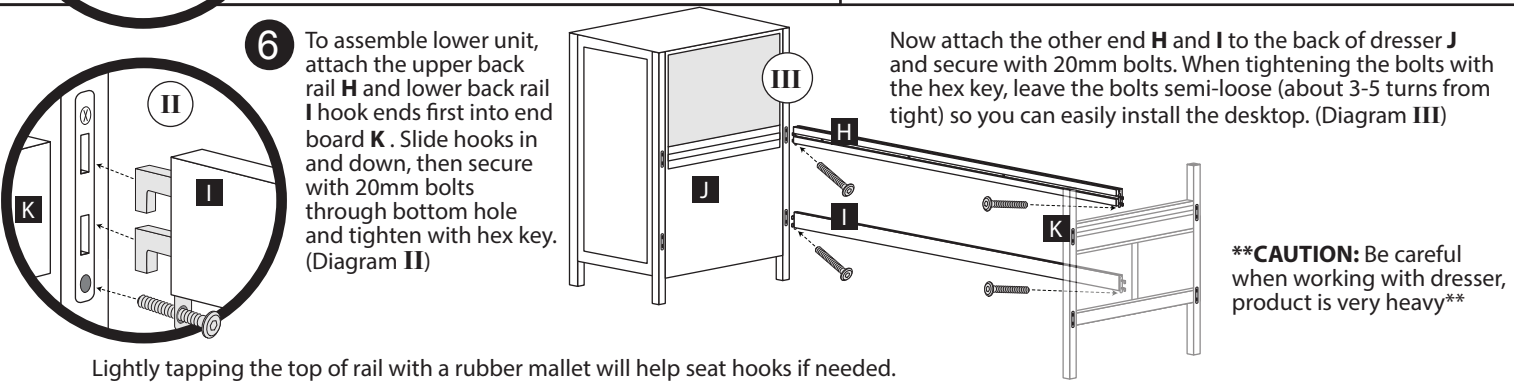
**4** Attach the upright supports **F** and long safety rails **E** to the rear side of the upper loft bunk using 40mm bolts.



**5** Attach short safety rail **G** to bed rail **D** using four 40mm bolts.



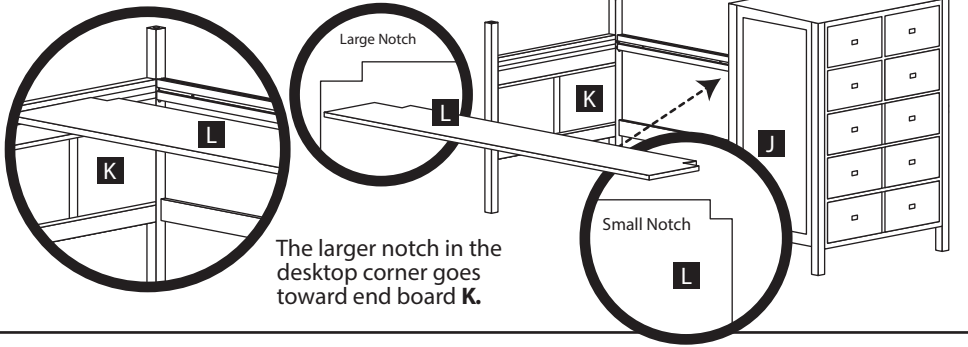
**6** To assemble lower unit, attach the upper back rail **H** and lower back rail **I** hook ends first into end board **K**. Slide hooks in and down, then secure with 20mm bolts through bottom hole and tighten with hex key. (Diagram **II**)



7

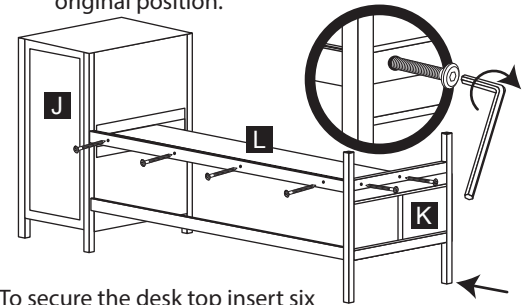
To attach desk top **L**, push the outside leg of bottom end board **K** out about two inches.

Slide desk top **L** into the slot of end board **K** and the slot in the back of the dresser **J** and slide back into the slot on the back rail **H**.



8

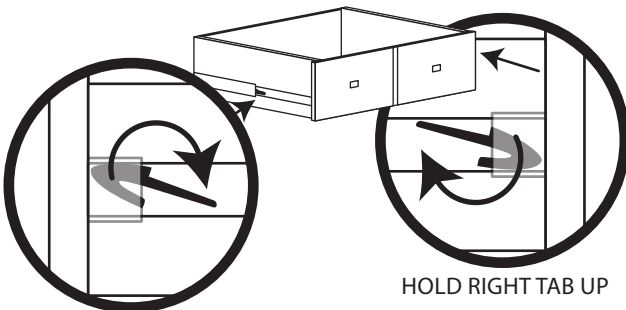
With the desk top fully seated in grooves, return the front leg of the footboard to its original position.



To secure the desk top insert six 40mm JC screws in the pre-drilled holes around the outside of the footboard and back rail. Tighten the JC screws and 20mm bolts from step 6 with the hex key.

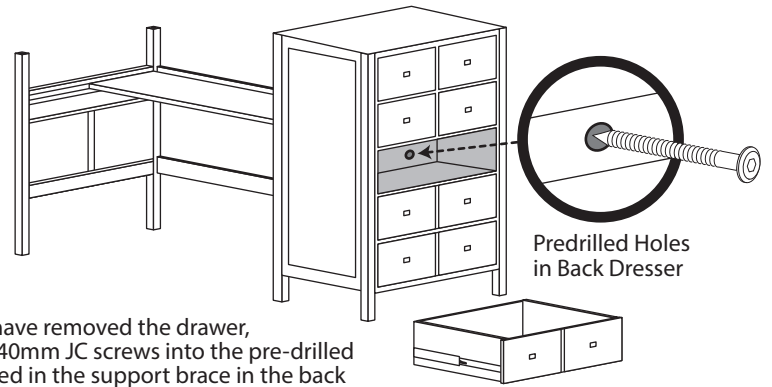
9

Remove the third drawer from the dresser by sliding the drawer out and holding black plastic tabs located on both sides of the drawer in their proper position (left side down Right side up) at the same time.



HOLD LEFT TAB DOWN

HOLD RIGHT TAB UP

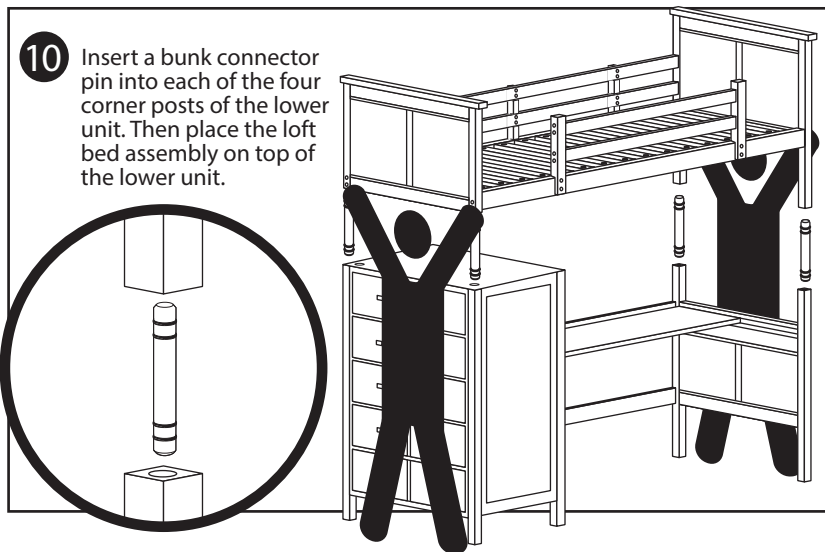


Once you have removed the drawer, insert two 40mm JC screws into the pre-drilled holes located in the support brace in the back of the dresser. Then replace drawer.

**\*\*NOTE:** Each drawer is made only for its original location, if you remove more than one make sure they are returned to the same location.

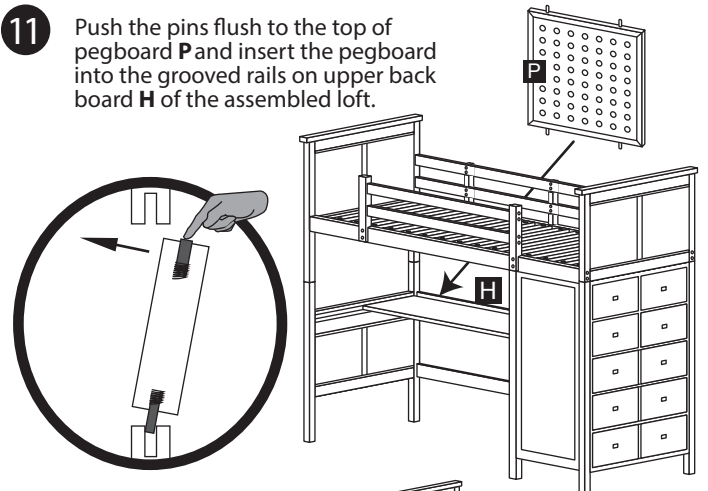
10

Insert a bunk connector pin into each of the four corner posts of the lower unit. Then place the loft bed assembly on top of the lower unit.



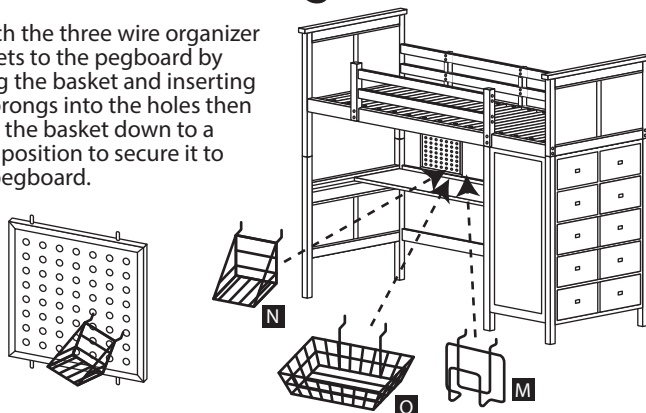
11

Push the pins flush to the top of pegboard **P** and insert the pegboard into the grooved rails on upper back board **H** of the assembled loft.



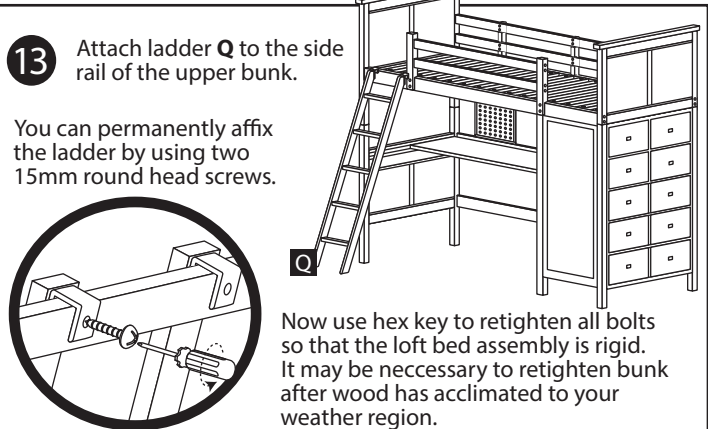
12

Attach the three wire organizer baskets to the pegboard by tilting the basket and inserting the prongs into the holes then push the basket down to a level position to secure it to the pegboard.



13

Attach ladder **Q** to the side rail of the upper bunk.



You can permanently affix the ladder by using two 15mm round head screws.

Now use hex key to retighten all bolts so that the loft bed assembly is rigid. It may be necessary to retighten bunk after wood has acclimated to your weather region.