



## 6 Drawer Dresser Dakota / Jayden / Olivia

5377: DA-6D-DR-WH

Congratulations on the purchase of your Dakota / Jayden / Olivia Dresser. This dresser has been crafted to the highest standards of quality and safety and will give you many years of enjoyment and practical use.

Since this dresser is a natural wood product there will be variations in color and grain, and minor wood grain checking may occur. This is normal and does not compromise the integrity of your dresser. Variation in the character of this piece is integral to its beauty and distinguishes it from lower quality composite materials.

Assembly is quite simple and requires only a flat head or Phillips head screwdriver. Assembly will be most easily accomplished if you take the time to carefully sort the hardware and familiarize yourself with the function of each piece.

Drawer handles are pre-installed into each drawer for shipping.  
(As shown in Diagram I)

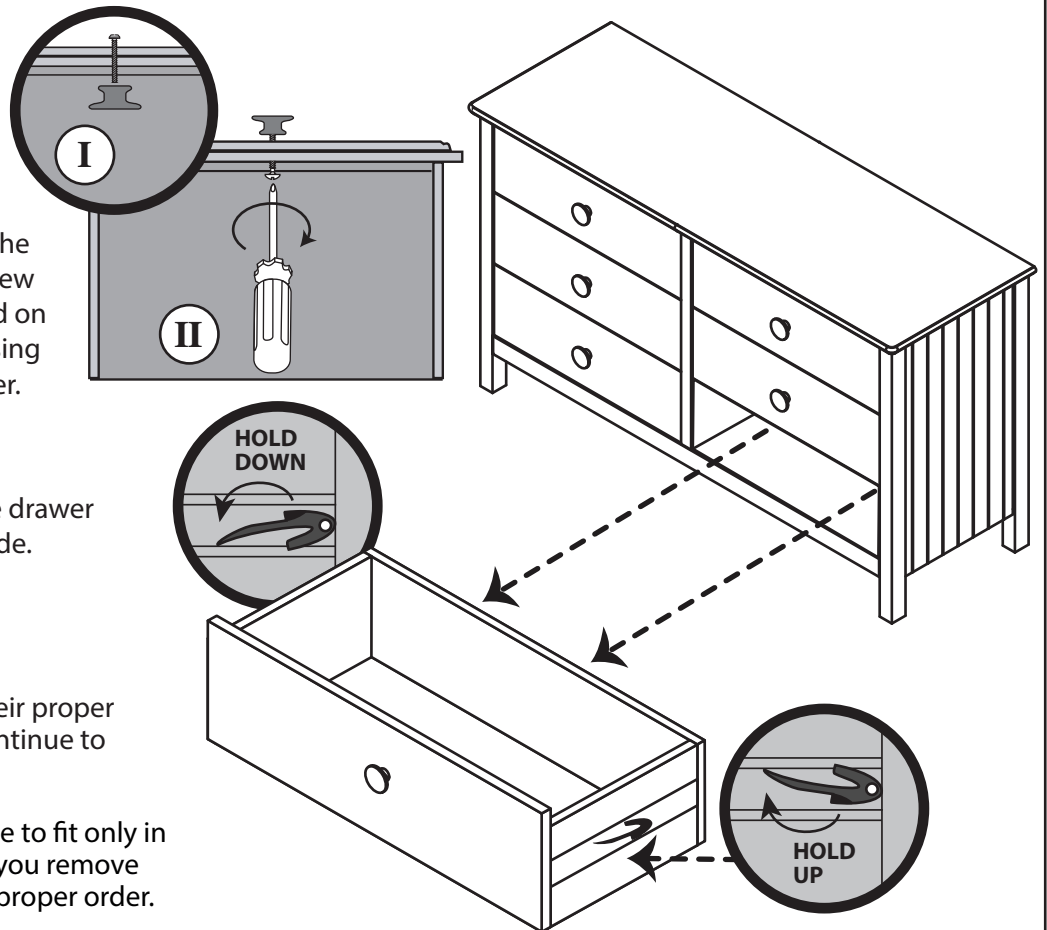
To install drawer handles, first unscrew the handle from the inside of the drawer. Place the handle on the outside of drawer and insert the screw through the pre-drilled hole located on the inside of the drawer. Tighten using flat head or Phillips head screwdriver.  
(As shown in Diagram II).

To remove drawers, fully extend the drawer and locate the track tabs on each side.



Push and hold both track tabs in their proper positions at the same time, then continue to remove the drawer.

**\*NOTE:** Each drawer is custom made to fit only in its original location so make sure if you remove more than one they go back in the proper order.



If you should require assistance with assembly, part replacement or any other matter, contact the toll-free Epoch Design Service Center from anywhere in the Continental United States, Monday through Friday, 9 AM – 5 PM Pacific Standard Time at 1-800-589-7990. You may also email your request or comments to [info@epochbydesign.com](mailto:info@epochbydesign.com) and a service representative will respond.

Thank you and Enjoy

HAVE QUESTIONS OR CONCERNS? CALL US FIRST: 1-800-589-7990