



Storage Bed 5143: PM-FU-XB-ES

Congratulations on the purchase of your Storage Bed. This bed has been crafted to the highest standards of quality and safety and will give you many years of enjoyment and practical use.

Since this bed is a natural wood product, there will be variations in color and grain and minor checking may occur. This is normal and does not compromise the integrity of your bed. In fact, variation in character of natural wood is integral to the beauty and appeal of hardwood furniture and distinguishes it from prefabricated, synthetic and composite materials.

On this insert you will find a list of the hardware and parts included as well as detailed assembly instructions. Assembly is quite simple and requires only a flat head screwdriver and a Phillips head screwdriver. The use of a power drill with Phillips head attachment is helpful but not necessary. Assembly will be most easily accomplished if you take the time to carefully sort the hardware and familiarize yourself with the function of each piece.

If you need assistance with assembly, part replacement or any other matter, please contact the toll-free Epoch Design Customer Service Team from Monday through Friday, 9 AM-6PM PST at 1 (800) 589-7990. You may also email your request or comments to info@epochbydesign.com and a customer service representative will respond.

Thank you and Enjoy

HARDWARE LIST

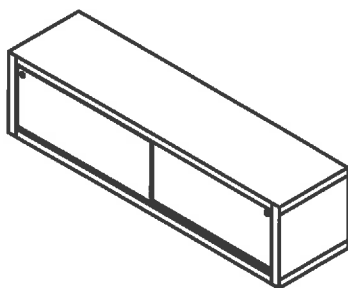
8 **35mm bolts** 
Used to connect storage units to headboard

34 **30mm wood screws** 
Used to secure slats to storage units

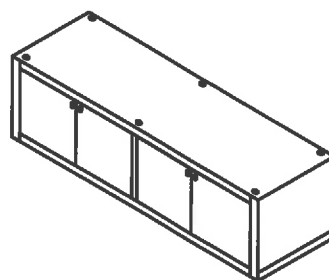
1 **Hex key** 
Used to tighten bolt hardware

BED PARTS

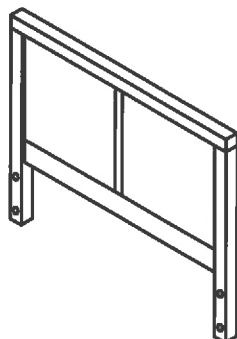
1 **End unit**



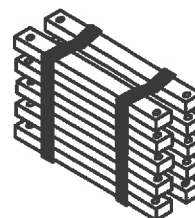
2 **Storage units**

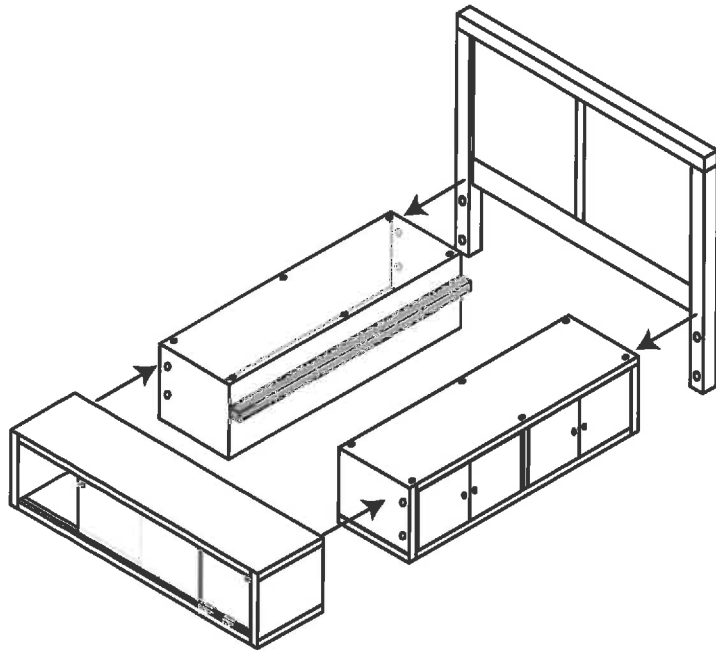


1 **Headboard**

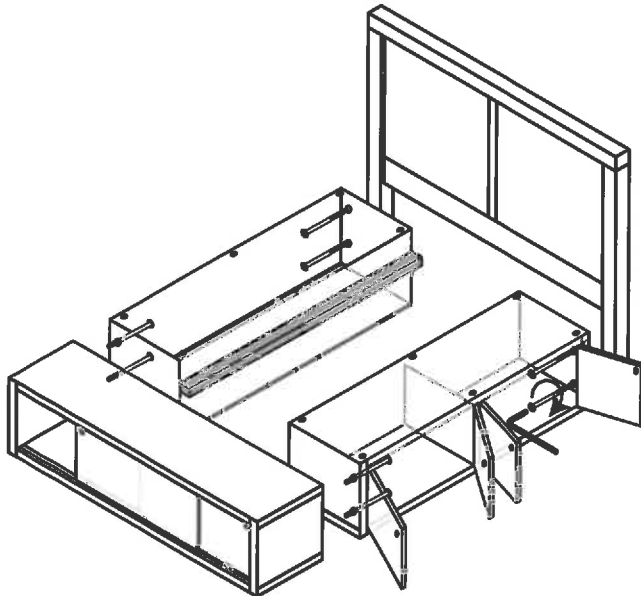


1 **Slat bundle**

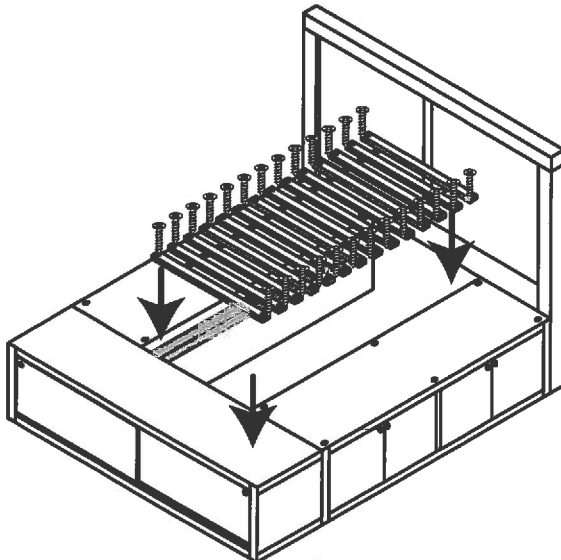
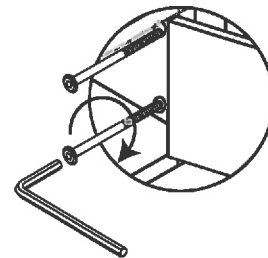




1) Align the headboard and end unit to both storage units.



2) Use eight 35mm bolts to attach the headboard and end unit to the storage units.



3) Unroll slat bundle (**strap side down**) onto side rail ledges evenly from end to end. Attach slats with 30mm slat screws using a Phillips head screwdriver. A power screwdriver with the clutch set on low is useful here.

