

Epoch Design, LLC

Nara Bamboo Platform Bed

Congratulations on the purchase of your Epoch Design Nara Bamboo Platform Bed. This bed has been crafted to the highest standards of quality and safety and will give you many years of enjoyment and practical use.

Since this is a natural bamboo wood product there will be variations in color and grain, and minor wood grain checking may occur. This is normal and does not compromise the integrity of your dresser. Variation in the character of wood is integral to the beauty and appeal of this furniture, and distinguishes it from lower quality materials.

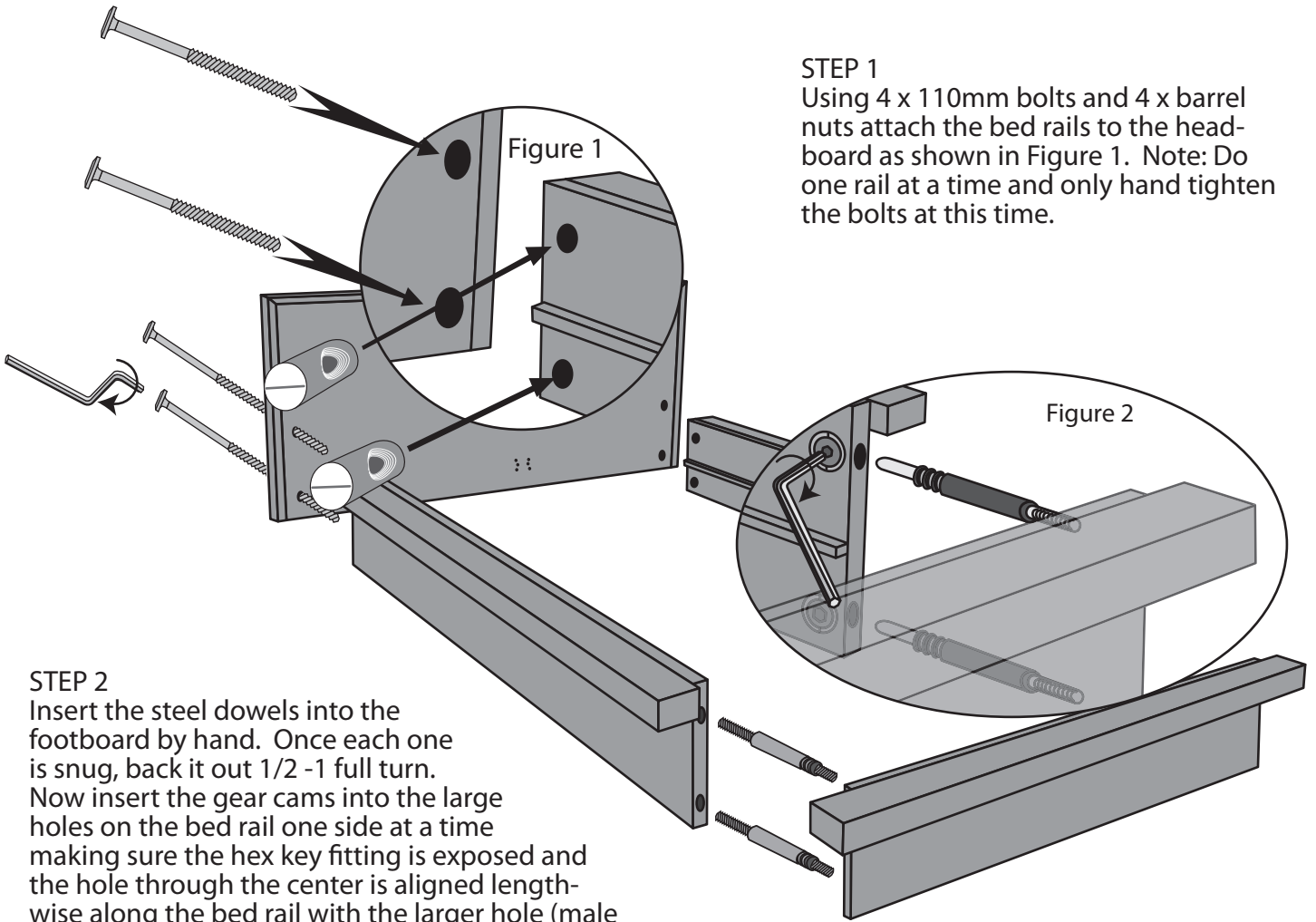
On this insert you will find a list of the hardware and platform bed parts necessary for assembly, as well as detailed instructions. Assembly is quite simple and requires only a flat head screwdriver and a Phillips head screwdriver. The use of a power drill with a Phillips head attachment and a clutch set on low is helpful but not necessary. Assembly will be most easily accomplished if you take the time to carefully sort the hardware and familiarize yourself with the function of each piece.

If you should require assistance with assembly, part replacement or any other matter, contact the toll-free Epoch Design Service Center from anywhere in the Continental United States, Monday through Friday, 9AM-5PM Pacific Standard Time at (800) 589-7990. You may also fax your request or comments to (425) 284-0885 and/or email to info@epochbydesign.com and a service representative will respond.

Thank you and Enjoy

STEP 1

Using 4 x 110mm bolts and 4 x barrel nuts attach the bed rails to the headboard as shown in Figure 1. Note: Do one rail at a time and only hand tighten the bolts at this time.

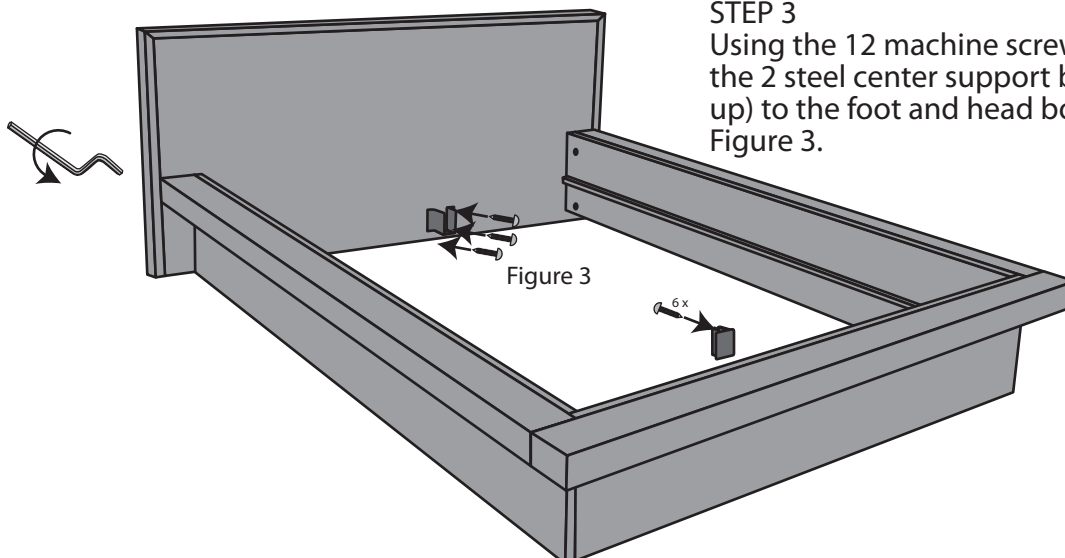


STEP 2

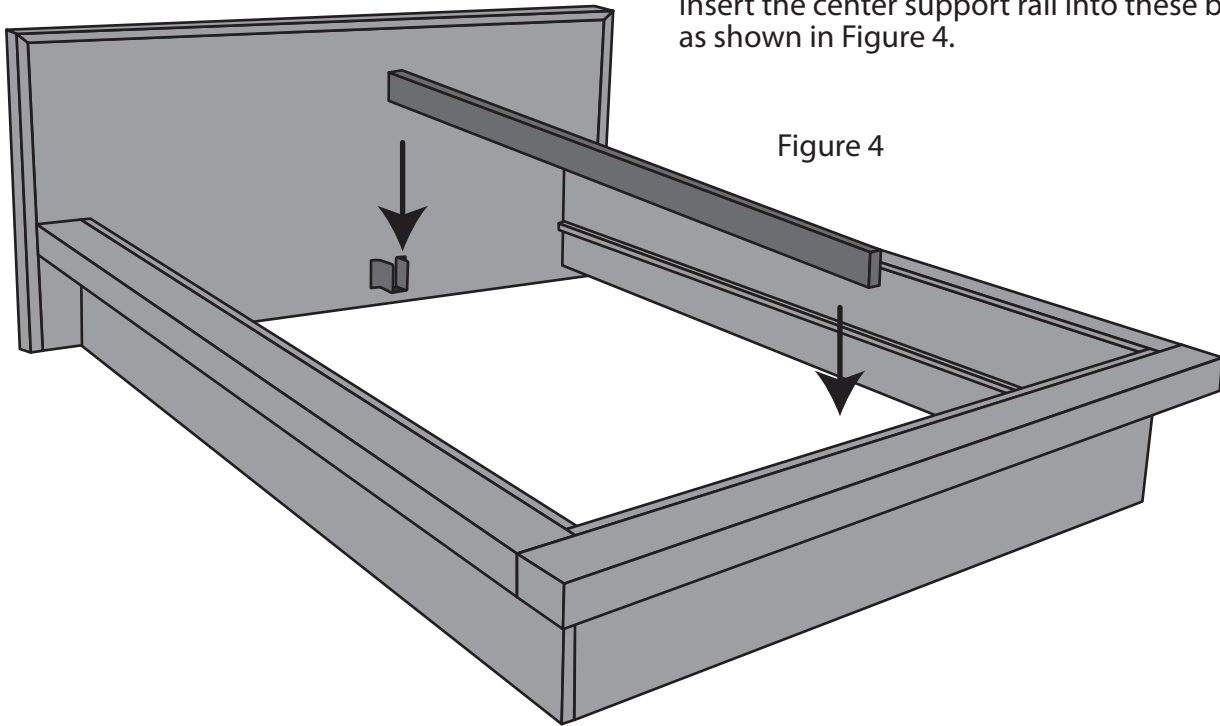
Insert the steel dowels into the footboard by hand. Once each one is snug, back it out 1/2 -1 full turn. Now insert the gear cams into the large holes on the bed rail one side at a time making sure the hex key fitting is exposed and the hole through the center is aligned length-wise along the bed rail with the larger hole (male side) closest to the end of the rail. This will allow the steel dowel to penetrate the gear cam (as shown in Figure 2). Tighten the gear cam with 6mm Allen wrench provided until the footboard is flush with the bed rails. Now tighten the 110mm bolts on the headboard using the 4 mm Allen Wrench provided.

STEP 3

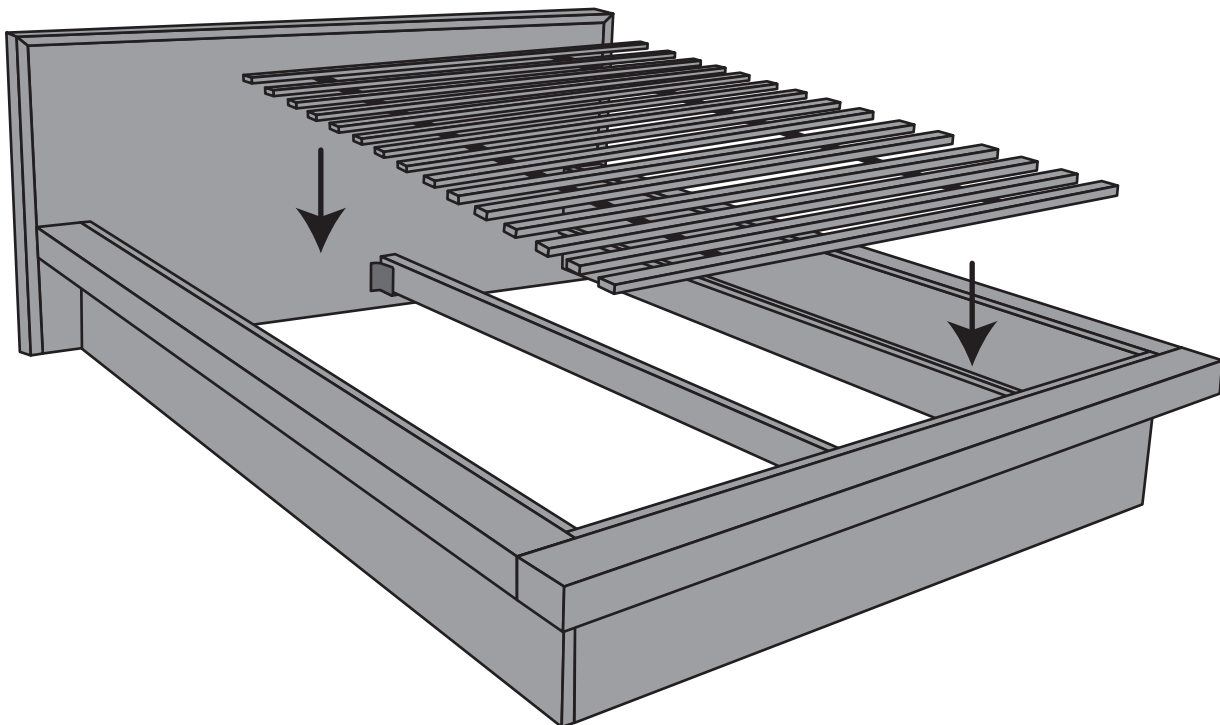
Using the 12 machine screws provided, attach the 2 steel center support brackets (open end up) to the foot and head board as shown in Figure 3.



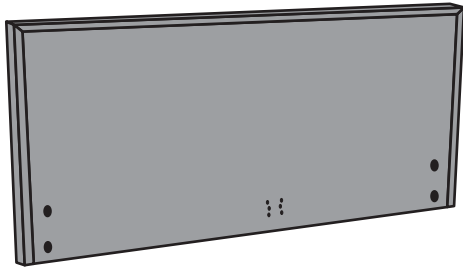
STEP 4
Insert the center support rail into these brackets
as shown in Figure 4.



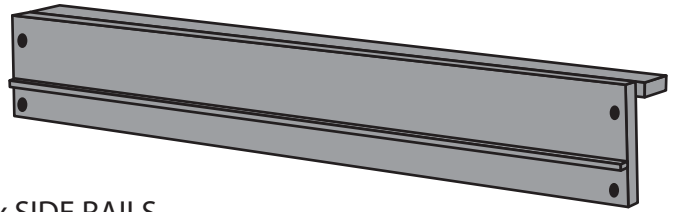
STEP 5
Lay out the slats evenly on bed, strap side down. Screw the slat
closest to the headboard first against the two outside rails.
Secondly screw the slat closest to the footboard to the two
outside rails. Then do the rest in any order. Note: Do not attach
screws to the center support since this may crack the bamboo
center rail.



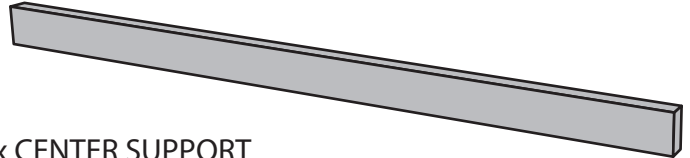
Nara Bamboo Platform Bed Hardware & Parts List



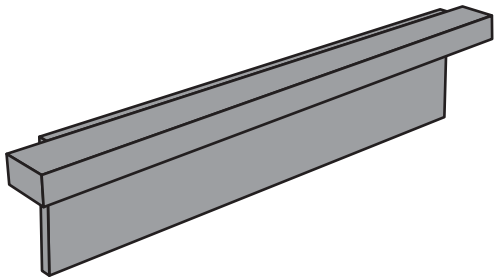
1 x HEADBOARD



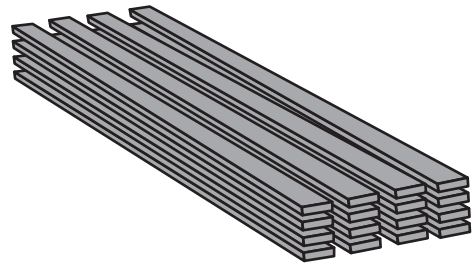
2 x SIDE RAILS



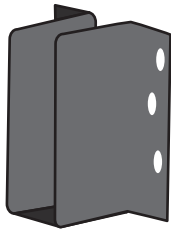
1 x CENTER SUPPORT



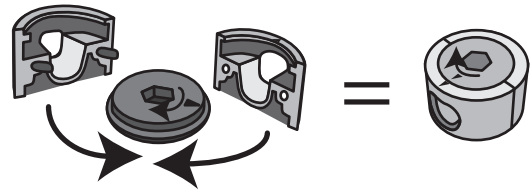
1 x FOOTBOARD



16 x SLATS



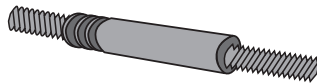
2 x CENTER SUPPORT BRACKETS



4 x GEAR CAMS



4 x 110mm BOLTS



4 x STEEL DOWELS



1 x 4mm ALLEN WRENCH



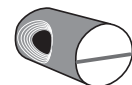
1 x 6mm ALLEN WRENCH



12 x MACHINE SCREWS



32 x WOOD SCREWS



4 x BARREL NUTS

Have a question? Need a part ASAP? Please call 1-800-589-7990 (9am to 5pm PST).